

MTS

BYJGORBE



TECHNICAL DATA
CHILDREN, YOUTH and SENIOR bedrooms

MTS
BYJGORBE

TECHNICAL CHARACTERISTICS

Melamine boards 1st quality, resistant to scratches and stains according to regulations UNE-EN-14322

Boards in thicknesses from 10-19-25-40 and 57mm:

- * In 10mm rear cabinets, rear for column sides. Finish 1
- * In 19mm frames, doors, drawers, interior shelves, wainscoting, chest fronts, sides column, column shelves. Finish 2
- * In 25 mm sides columns, shelves columns. Finish 1
- * In 40 mm caps and floors of all frames (cabinets), chest floor, column sides, column shelves, wall shelves. Finish 1
- * In 57 mm Star double-layer arms. Finish 1

Edges: in 2mm for all the pieces and in 0.4 mm for inner ones.

Fittings: first quality according to the current regulation.

- * Hinges: The hinges for joining the structure are metallic, with anti-corrosive treatment (UNE EN 1670 and ISO 9227 UNI) easy to assemble and adjustable in 3 dimensions: height, depth and tilt, allowing the doors to be adjusted easily. Its maximum opening is 105° and complies with DIN 68.857 and DIN EN 1153. height-adjustable quick mounting with closing damping system.
- * Guides: Metallic with self-closing system.
- * Height regulators inserted in all wardrobe floors.
- * Handles finishes in all UNICOLOURS (M1, M2, M3, M4 - M7) and M5 and M6 in white - black and aluminum

GENERAL CONDITIONS OF SALE

To know the conditions, the payment forms, the minimum order, delivery costs and delivery time corresponding to your country please, contact us::

By phone: +34 978 607002 (7-15h) from Monday to Friday

By E-mail: info@jgorbe.com

1.- Available special measurements, please check with our factory for the price and the delivery time

2.- The orders must be always done through E-mail (we do not accept phone orders).

JGORBE will send an order confirmation which must be validated through E-mail returning it signed to confirm your approval.

Thus all sales are understood as firm and no modifications will be admitted in the orders once received the confirmation E-mail.

3.- In case of return, orderer will have to pay half of the order value and will arrange the rest with our factory which will only admit the reimbursement of the pieces in their original package.

No reimbursement will be done for pieces which have been mounted or in bad conditions.

4.- The above written is not applicable to special pieces whose return will be not admitted under no circumstances.

5.- Each delivery note signed at goods reception is considered like a conformity with its content.

6.- Carriage paid from 300€ of purchase. For inferior orders: 30€.

7.- IVA (= VAT) or the correspondent taxes will be applied on this price list.

PAYMENT CONDITIONS:

1.- The first order will be always payed in advance with a cash discount of 2%.

2.- 30 days remittances with a cash discount of 2%.

3.- 30 and 60 days in two remittances without discount from invoice date.

4.- The remittances less than 180€ will payed in an unique bill at sight without cash discount.

5.- Except when the customer has precised a payment date it will be effective at 30 days from invoice date.


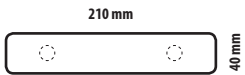
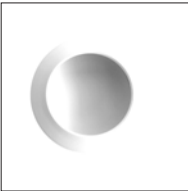
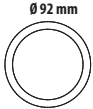

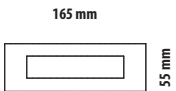

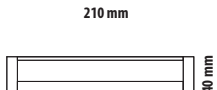

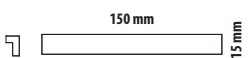

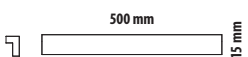
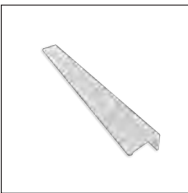
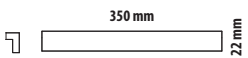
6.- To avoid returns it is essential to provide an exact direct debit: Bank or Savings bank, bank branch and account number with IBAN+BIC or SWIFT code and with the bank authorization (required by law) duly signed.

PRICE LIST WITH EXCLUSIVE USE FOR DISTRIBUTORS

Last review:

November 2020

HANDLES

	NAME	€	€ FOR EXTRA HANDLE	CHARACTERISTICS
	M1	FREE OF CHARGE WITH THE FURNITURE	6,5€ / unit	
	M2	FREE OF CHARGE WITH THE FURNITURE	6,5€ / unit	
	M3	FREE OF CHARGE WITH THE FURNITURE	6,5€ / unit	
	M4	FREE OF CHARGE WITH THE FURNITURE	11,5€ / unit	
	M5	FREE OF CHARGE WITH THE FURNITURE	11,5€ / unit	
	M6	FREE OF CHARGE WITH THE FURNITURE	11,5€ / unit	
	M7	FREE OF CHARGE WITH THE FURNITURE	11,5€ / unit	

COLOURS

PINKED GREY	GREY CLAY	LIGHT	GRAPHITE GREY	OPAL GREEN	STRONG GREEN	AQUAMARINE	POLAR BLUE	COSMIC BLUE	SILK PINK	FLAMINGO PINK	CURRY YELLOW	SIENNA ORANGE	PREMIUM WHITE
													
			<p>THE METALLIC FINISHES (BL-AL-NG) ARE ONLY AVAILABLE FOR THE M5 AND THE M6 HANDLES.</p> <p>M4 HANDLE IS ALSO AVAILABLE IN ALUMINIUM FINISH (AL)</p>										
WHITE	ALUMINIUM	BLACK											

EACH FURNITURE ALLOWS ONLY ONE MODEL OF HANDLE

MADE-TO-MEASURE PANELS

		Points for m2	Minimal invoicing	Maximum measurements
Made-to-measure panels 40-38 m/m	Without edges	63	30	2750x2040
Made-to-measure panels 40-38 m/m	Edged 4L 0.4m/m	67	50	2750x2040
Made-to-measure panels 40-38 m/m	Edged 4L 2m/m	75	50	2750x2040
Made-to-measure panels 19 m/m	Without edges	40	22	2400x2040
Made-to-measure panels 19 m/m	Edged 4L 0.4m/m	44	38	2400x2040
Made-to-measure panels 19 m/m	Edged 4L 2m/m	64	38	2400x2040
Made-to-measure panels 10 m/m	Without edges	40	22	2400x2040
Made-to-measure panels 10 m/m	Edged 4L 0.4m/m	44	38	2400x2040
Made-to-measure panels 10 m/m	Edged 4L 2m/m	64	38	2400x2040
Edged 0.4 m/m m/l		1		
Edged 2 m/m m/l		6		

MINIMUM MEASUREMENTS FOR EDGED PANEL: 65mm X 500mm

CERTIFICATES



AIDIMME

ASSOCIATED COMPANY CERTIFICATE

D. MARIANO J. PÉREZ CAMPOS with ID card Number 22.663.101-M as DIRECTOR of AIDIMME. METAL-PROCESSING, FURNITURE, WOOD AND PACKAGING TECHNOLOGY INSTITUTE¹, with legal address in Valencia, Parque Tecnológico, Avda. Leonardo Da Vinci 38, 46980 Paterna (VALENCIA) and with VAT number ESG46261590

CERTIFIES:

That today, the company J. GORBE, S.L. with legal address in Polígono Industrial "La Paz", C/ Londres (no number), 44195 Teruel and VAT number B44122562, is INDIVIDUAL ASSOCIATED MEMBER of AIDIMME. METAL-PROCESSING, FURNITURE, WOOD AND PACKAGING TECHNOLOGY INSTITUTE from September, 8th 1999 being its associated number 1071.

Be it known to all, this certification is issued in Paterna on 13th January 2017.


AIDIMME
 Mariano J. Pérez Campos
 Director

¹AIDIMME. METAL-PROCESSING, FURNITURE, WOOD AND PACKAGING TECHNOLOGY INSTITUTE is a nationally based, private non-profit making association, which is at present made up of more than 800 companies and institutions that comes from the fusion of technological centres AIDIMMA and AIMME.
 AIMME is registered as a CENTER OF INNOVATION AND TECHNOLOGY with the Interministerial Commission for Science and Technology (CICYT) and is a member of the Valencian Community Technological Institutes Network (REDTI) and the Federation of Innovation and Technology Entities (FIEDT).
 The aim of the Instituto is to encourage improvement in the competitiveness of companies in the metal processing sector, Wood, furniture, packaging and related through R & D & I (Research, development and innovation) both in their productive processes and their products.



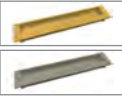
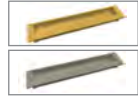

AIDIMME. METAL-PROCESSING, FURNITURE, WOOD AND PACKAGING TECHNOLOGY INSTITUTE
 Tax address: Parque Tecnológico - Calle Benjamin Franklin, 13 - 46980 PATERNA (Valencia) ESPAÑA
 Phone: +34 96 136 60 70 - Fax: +34 96 136 61 85
 Registered office: Parque Tecnológico - Avda. Leonardo Da Vinci, 38 - 46980 PATERNA (Valencia) ESPAÑA
 Phone: +34 96 131 85 59 - Fax: +34 96 091 54 46
 aidimme@aidimme.es
 www.aidimme.es




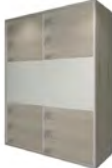
ORDER TEMPLATE

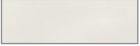



ORDER TEMPLATE

CUSTOMER				ORDER REFERENCE				
				Person of contact				
Unloading place				Contact phone number				
BASIS COLOUR CODE		COMPLEMENTARY COLOUR CODE		HANDLE MODEL		HANDLE COLOUR		
Quantity	Reference	Finish 1	Finish 2	Finish 3	Finish 4	Finish 5	Description	Observations

ORDER EXAMPLES

Quantity	Reference	Finish 1	Finish 2	Finish 3	Finish 4	Finish 5	Description	Observations
1	B-532SF	RT	CU GA	M4	CU GA	---	Captains bed with pull som.90x190	out guest bed and 1 central drawer in Curry Yellow finish (CU). Handles with inverted colour
								

Quantity	Reference	Finish 1	Finish 2	Finish 3	Finish 4	Finish 5	Description	Observations
1	B-703T1	RT	BL	---	---	BL	Cupboard 2 sliding doors of 200X223X65cm	Central hollow in white (BL)
								

Quantity	Reference	Finish 1	Finish 2	Finish 3	Finish 4	Finish 5	Description	Observations
1	B-401	NI	---	M1	VF	---	Under desk cabinet with 4 drawers 40x72x42.5cm	---
								

NOTICE: NOT ALL THE ARTICLES HAVE ALL FINISHES. PLEASE OBSERVE IN THE TECHNICAL DATA HOW EACH ONE IS CONFIGURED

CUPBOARD 11

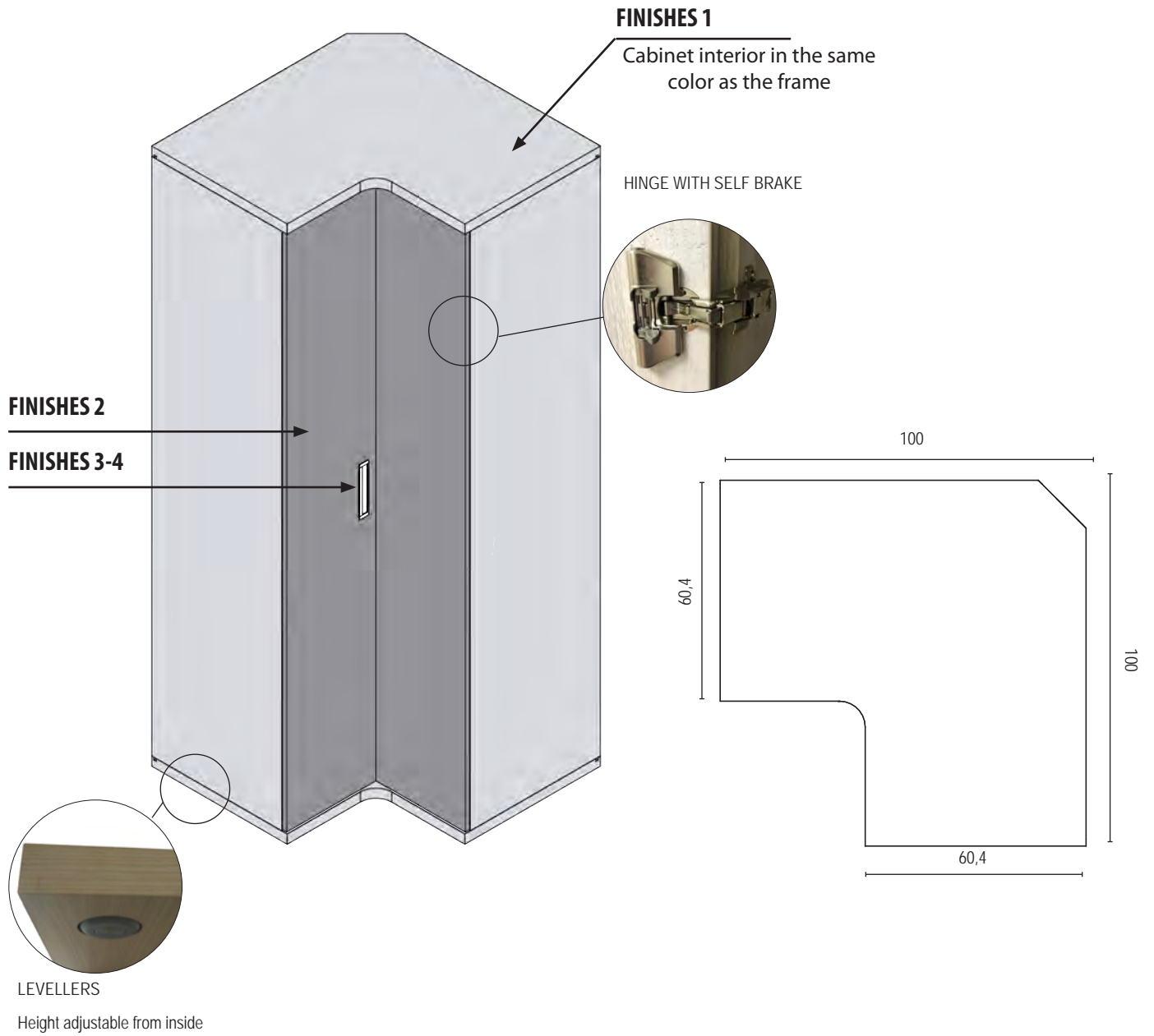
CHESTS – WORKTOPS – STUDY ZONE – STORAGE RACKS 15

CAPTAINS BEDS WITH PULL-OUT GUEST BED 29


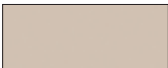


OPENING WALL BED 41

FINISHES 53

CUPBOARDS TECHNICAL DATA

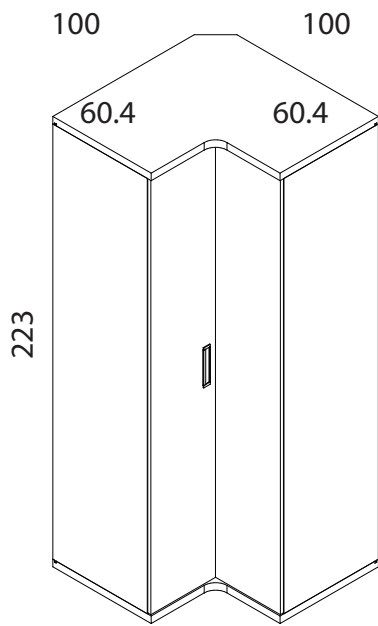


Order Examples

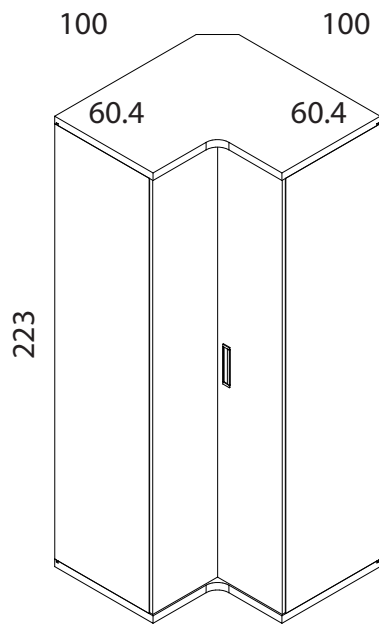
REFERENCE	FINISHES 1	FINISHES 2	FINISHES 3	FINISHES 4	€
B-887D	RT RUSTIC OAK	BR PINKED GREY	M4	BL WHITE	1.198,00
					



90° CORNER CUPBOARDS WITH SWING DOORS



LEFT



RIGHT

WITH ONE BAR

Cabinet interior in the same color as the frame



Description

Code

€

223-Corner 90° Left

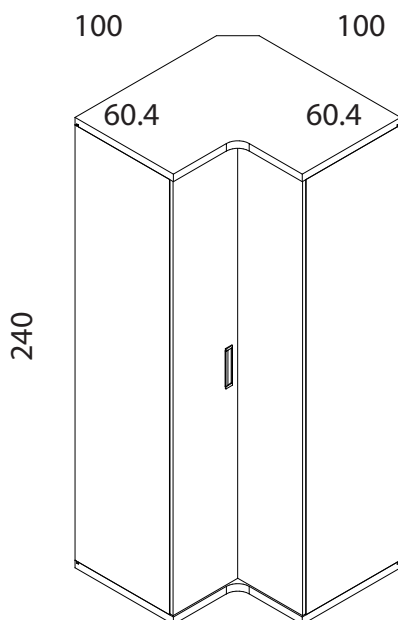
B-887I

1.198,00

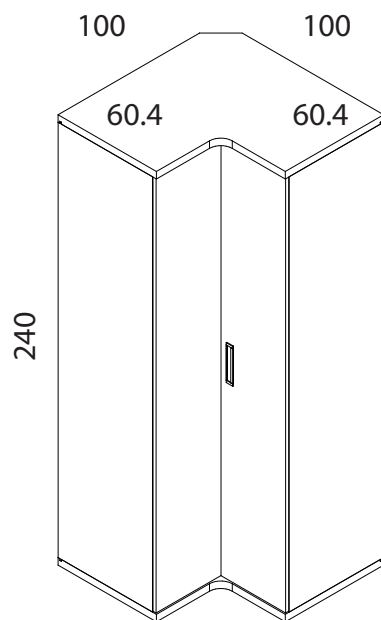
223-Corner 90° Right

B-887D

1.198,00



LEFT



RIGHT

WITH ONE BAR

Cabinet interior in the same color as the frame



Description

Code

€

240-Corner 90° Left

B-888I

1.226,00

240-Corner 90° Right

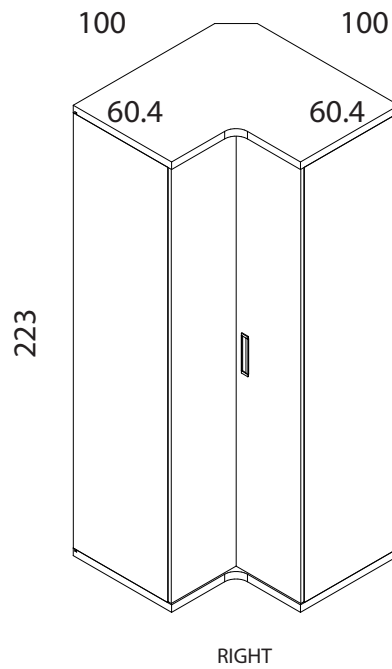
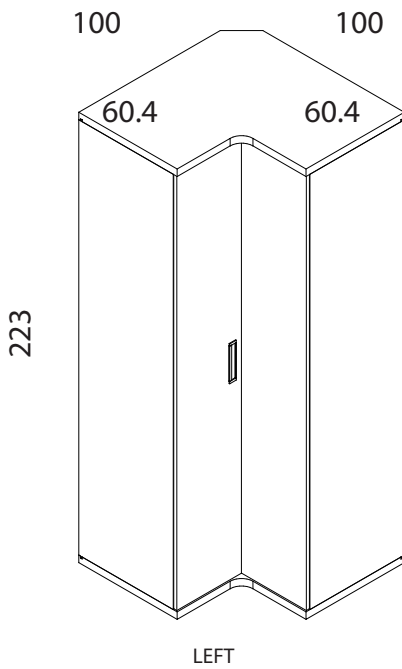
B-888D

1.226,00

90° CORNER CUPBOARDS WITH SWING DOORS

WITH TWO BARS

Cabinet interior in the same color as the frame



Description

Code

€

223-Corner 90° Left

B-887I2B

1.200,00

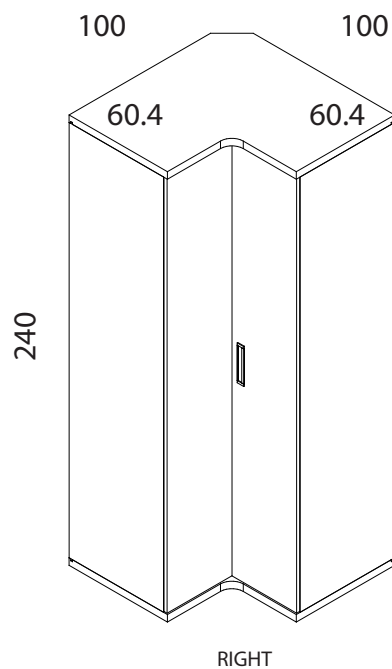
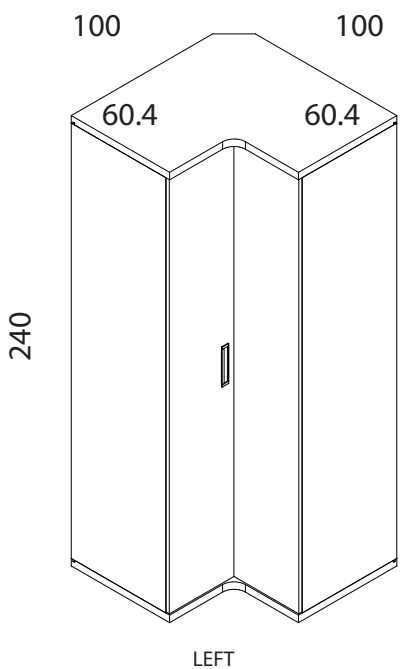
223-Corner 90° Right

B-887D2B

1.200,00

WITH TWO BARS

Cabinet interior in the same color as the frame



Description

Code

€

240-Corner 90° Left

B-888I2B

1.228,00

240-Corner 90° Right

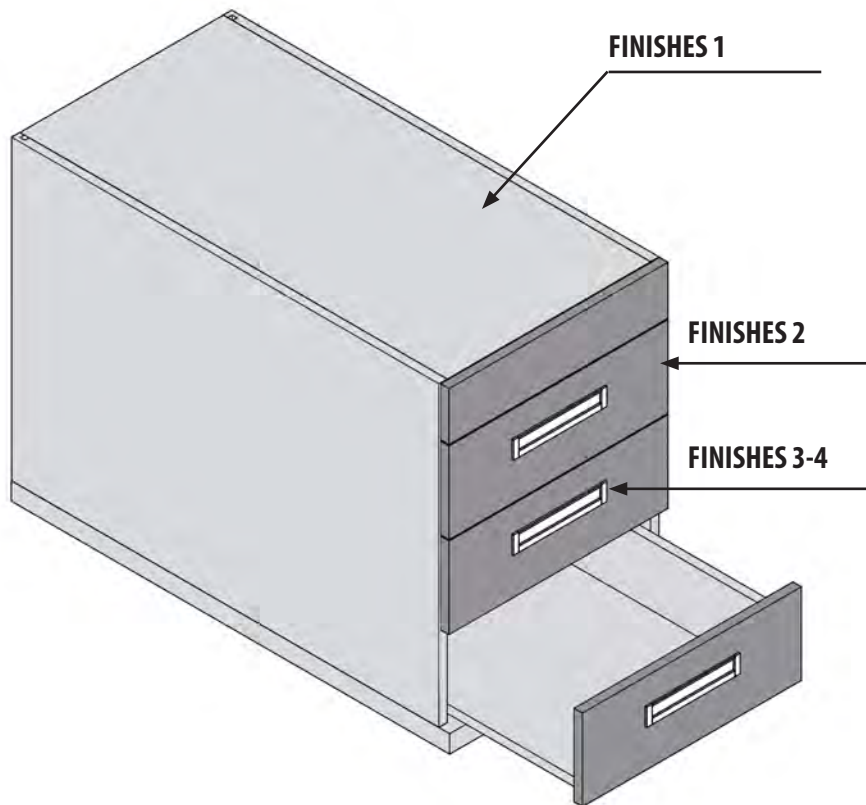
B-888D2B

1.228,00





CHESTS
WORKTOPS
STUDY ZONE
BOOKSTORES



CHESTS-WORKTOPS-STUDY ZONE-BOOKSTORES



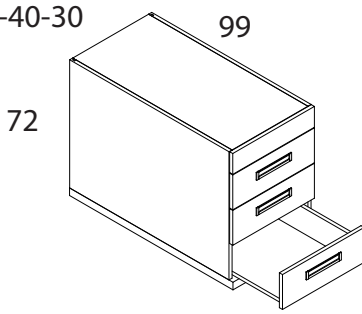
Order Examples

REFERENCE	FINISHES 1	FINISHES 2	FINISHES 3	FINISHES 4	€
B-492SD	RT RUSTIC OAK	BR PINKED GREY	M4	BL WHITE	575,00
					



CHEST 3 DRAWERS

50-40-30



RIGHT

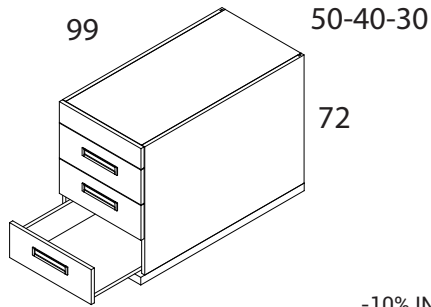


NOTE:

-10% INCREASE FOR BOWL DEPTH 105cm.
(Attention: Drawer of the same size as standard)

Description	Code	€
DEPTH 50 cm. (90 cm bed base)	B-492SD	575,00
DEPTH 40 cm. (90 cm bed base)	B-491SD	544,00
DEPTH 30 cm. (90 cm bed base)	B-490SD	513,00

99



LEFT



NOTE:

-10% INCREASE FOR BOWL DEPTH 105cm.
(Attention: Drawer of the same size as standard)

Description	Code	€
DEPTH 50 cm. (90 cm bed base)	B-492SI	575,00
DEPTH 40 cm. (90 cm bed base)	B-491SI	544,00
DEPTH 30 cm. (90 cm bed base)	B-490SI	513,00

GUIDE-CABLES CPU



Description	Code	€
CPU support	NL72023	80,00



Description	Code	€
Metallic hanging support for CPU	NL400	85,00

GUIDE-CABLES CPU



Description	Code	€
Black tray of electrification 500	PAS500	81,00



Description	Code	€
Guide-cables: Vertebra	PA10	78,50



Description	Code	€
Horizontal Guide-cables	PA13	38,50



FINISH 5



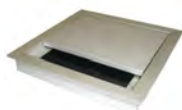
Description	Code	€
Guide-cables on the worktop D:60	PAS60	10,00



FINISH 5



Description	Code	€
Guide-cables on the worktop 240	PAS240	67,00



SOLO ALUMINIO

Description	Code	€
Guide-cables on the worktop 100	PAS100	44,00

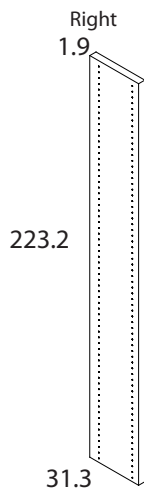
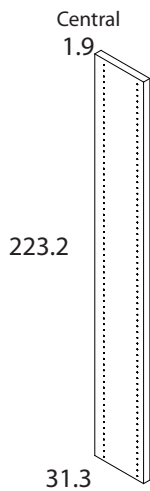
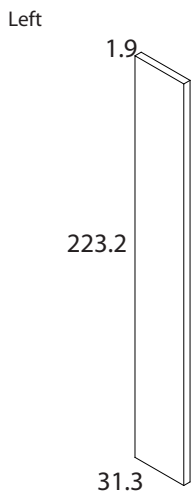


SOLO ALUMINIO

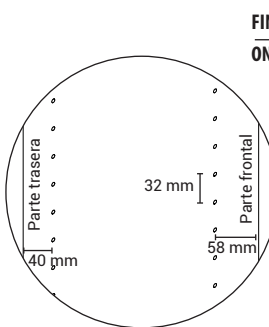
Description	Code	€
Guide-cables on the worktop 450	PAS450	88,00

COLUMNS SIDE CHEEKS 223 (1.9 cm)

Depth 31.3



NOTE:
-INCREASE 10% FOR
LOWERING THE BASE



Description

Code

€

Left

B-031I19

87,00

Central

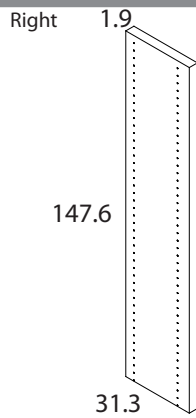
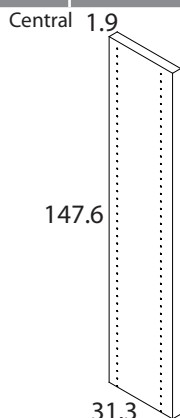
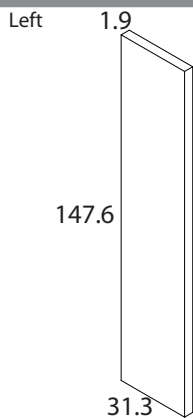
B-031C19

104,00

Right

B-031D19

87,00



NOTE:
-INCREASE 10% FOR
LOWERING THE BASE

**FINISH
ONLY 2**



Description

Code

€

Left

B-034I19

80,00

Central

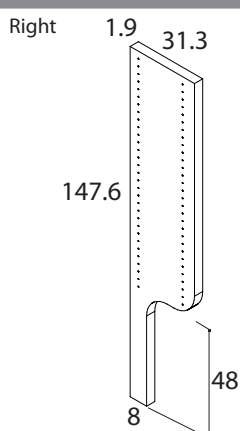
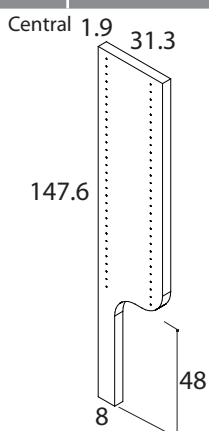
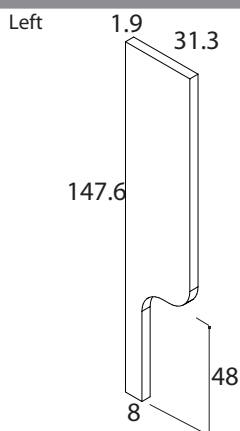
B-034C19

95,00

Right

B-34D19

80,00



**FINISH
ONLY 2**



Description

Code

€

Left

B-036I19

95,00

Central

B-036C19

109,00

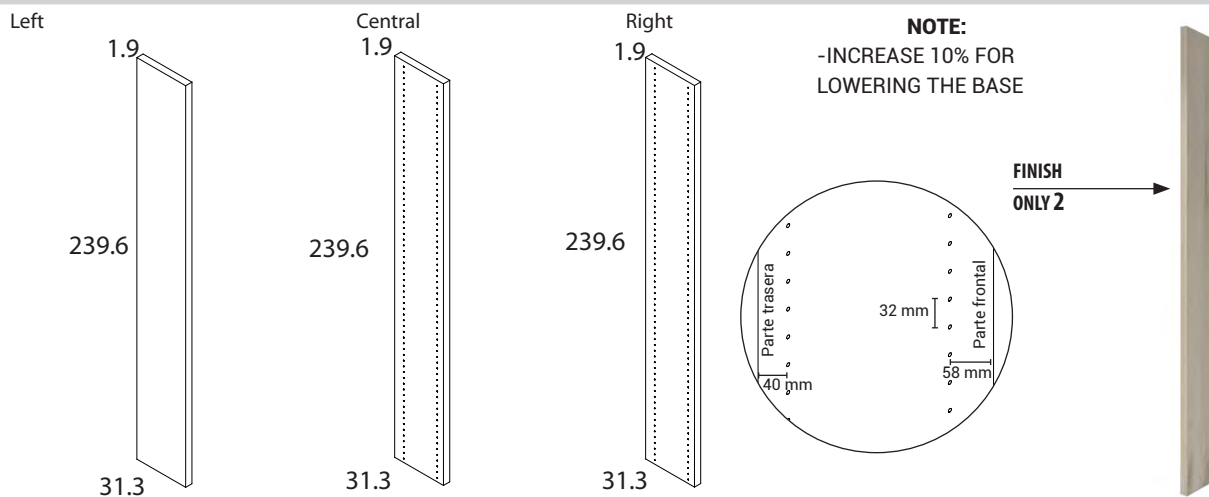
Right

B-036D19

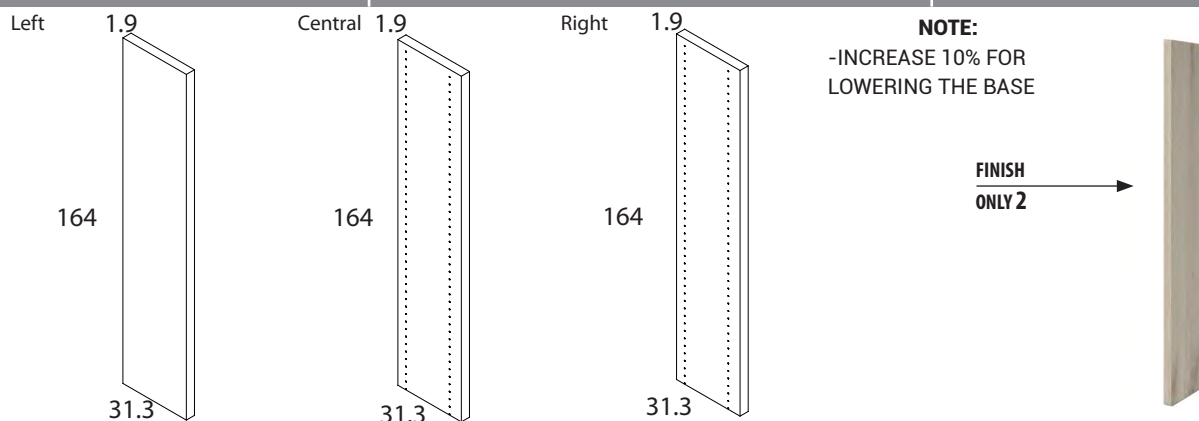
95,00

COLUMNS SIDE CHEEKS 240 (1.9 cm)

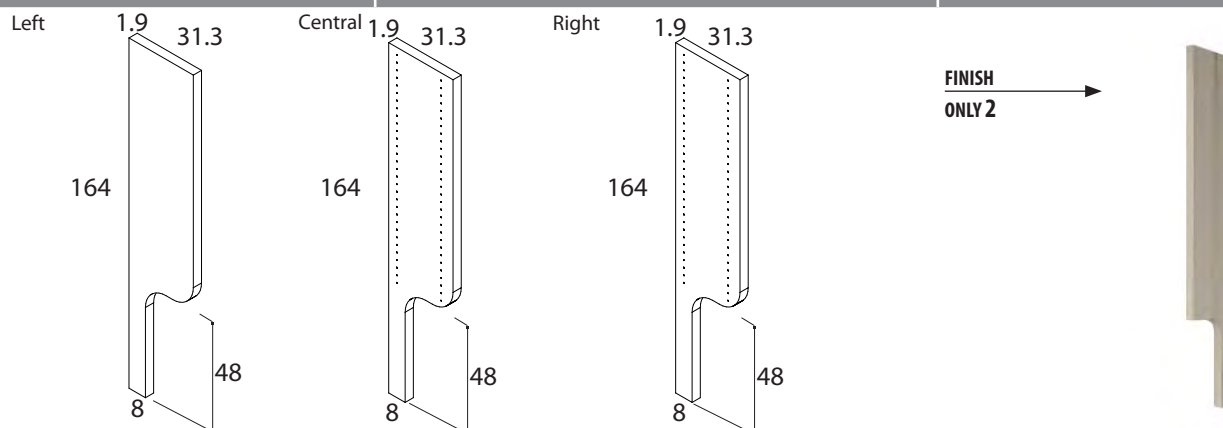
Depth 31.3



Description	Code	€
Left	B-026I19	87,00
Central	B-026C19	104,00
Right	B-026D19	87,00



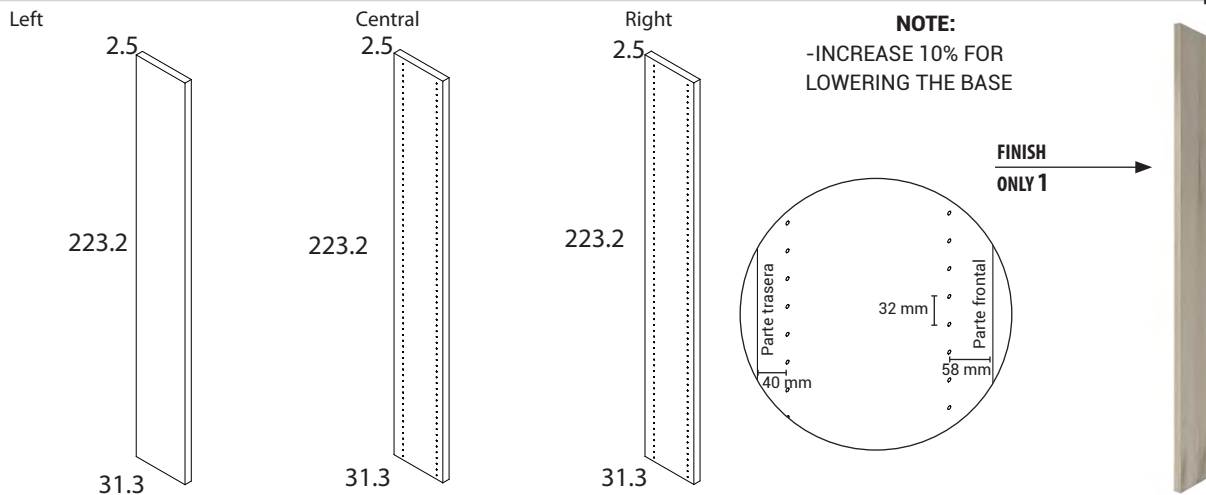
Description	Code	€
Left	B-030I19	80,00
Central	B-030C19	95,00
Right	B-030D19	80,00



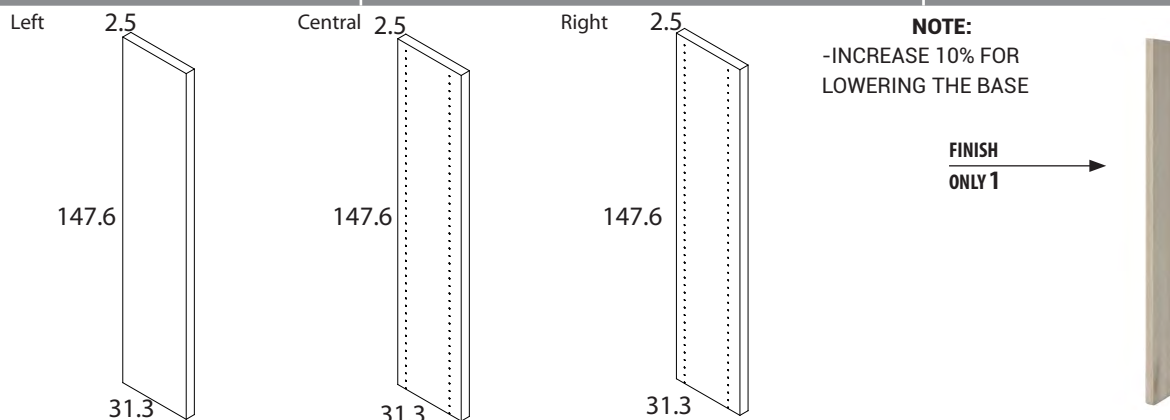
Description	Code	€
Left	B-029I19	95,00
Central	B-029C19	109,00
Right	B-029D19	95,00

COLUMNS SIDE CHEEKS 223 (2.5 cm)

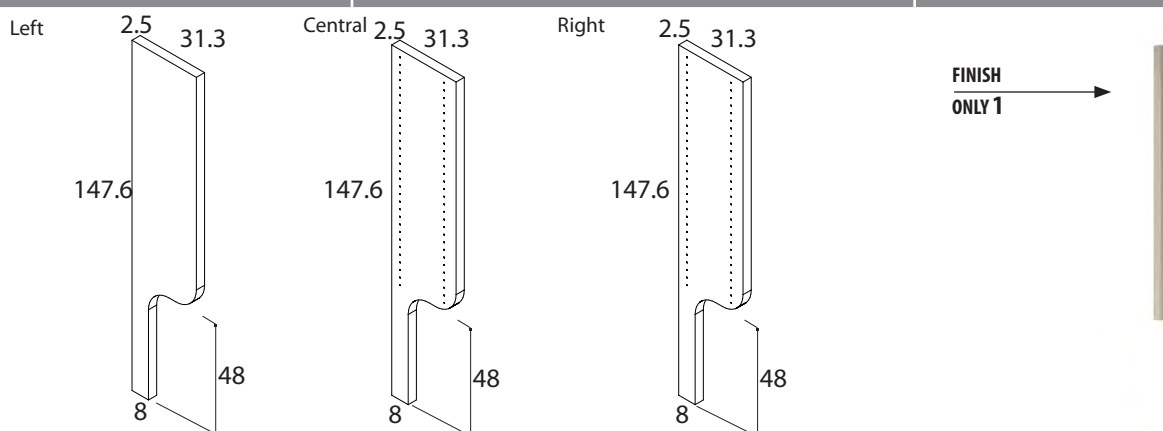
Depth 31.3



Description	Code	€
Left	B-031I25	95,00
Central	B-031C25	112,00
Right	B-031D25	95,00



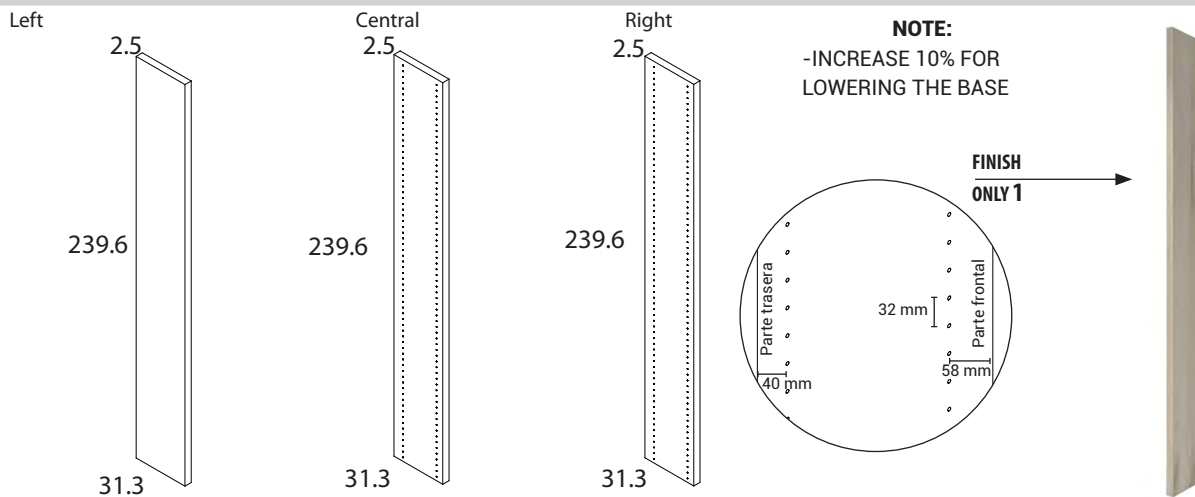
Description	Code	€
Left	B-034I25	80,00
Central	B-034C25	95,00
Right	B-034D25	80,00



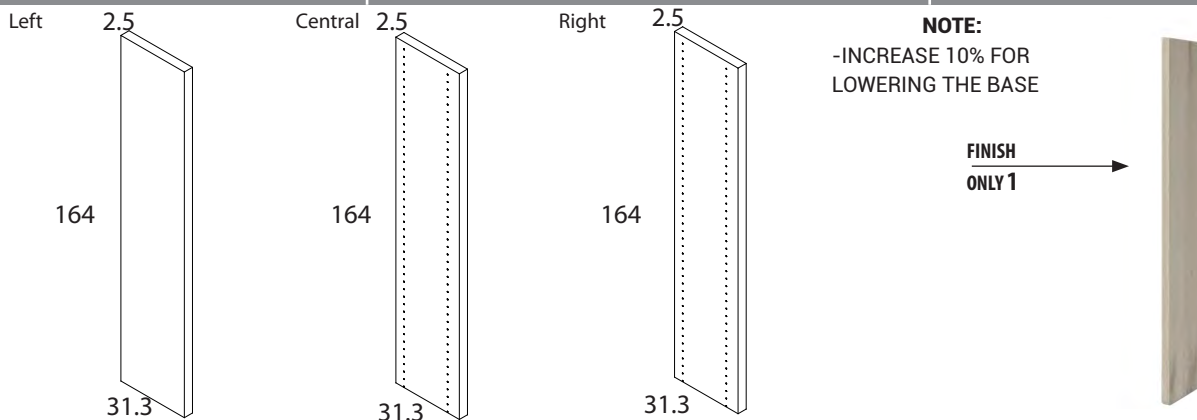
Description	Code	€
Left	B-036I25	95,00
Central	B-036C25	109,00
Right	B-036D25	95,00

COLUMNS SIDE CHEEKS 240 (2.5 cm)

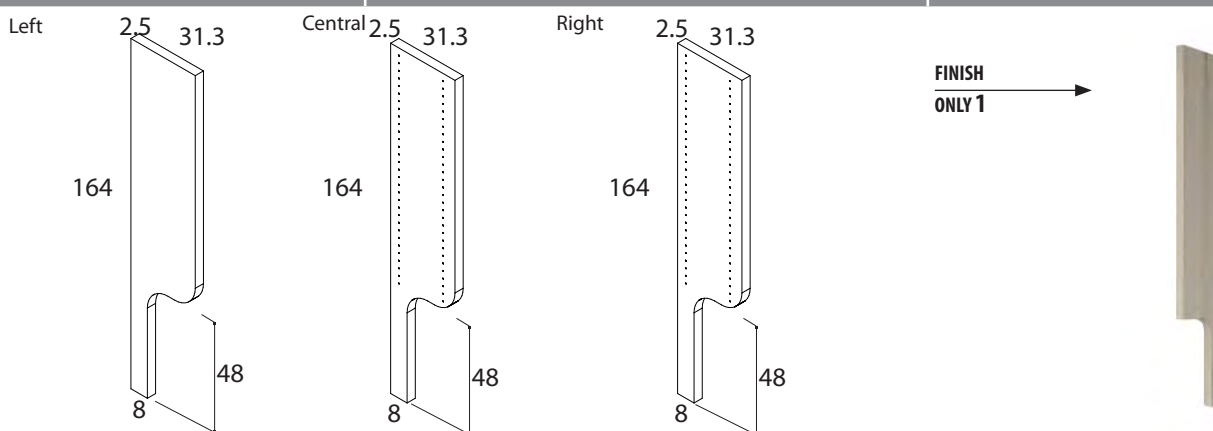
Depth 31.3



Description	Code	€
Left	B-026I25	95,00
Central	B-026C25	112,00
Right	B-026D25	95,00



Description	Code	€
Left	B-030I25	80,00
Central	B-030C25	95,00
Right	B-030D25	80,00

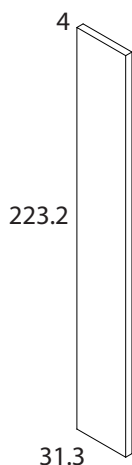


Description	Code	€
Left	B-029I25	95,00
Central	B-029C25	105,00
Right	B-029D25	95,00

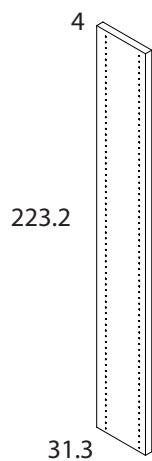
COLUMNS SIDE CHEEKS 223 (4 cm)

Depth 31.3

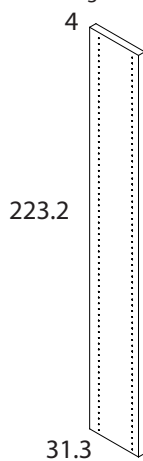
Left



Central

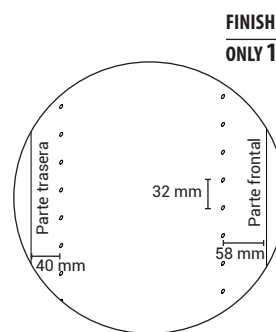


Right



NOTE:

-INCREASE 10% FOR LOWERING THE BASE



Description

Code

€

Left

B-031I

115,00

Central

B-031C

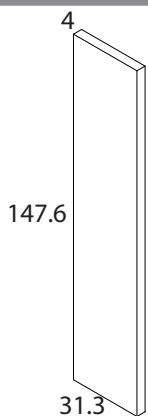
133,00

Right

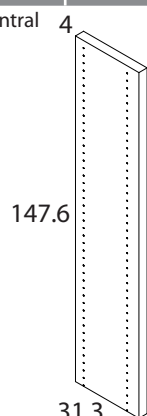
B-031D

115,00

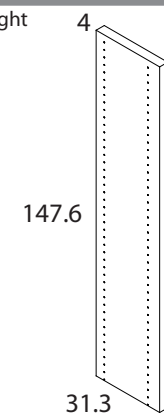
Left



Central



Right



NOTE:

-INCREASE 10% FOR LOWERING THE BASE

FINISH ONLY 1



Description

Code

€

Left

B-034I

94,00

Central

B-034C

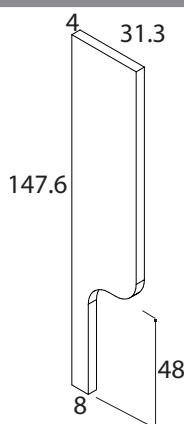
109,00

Right

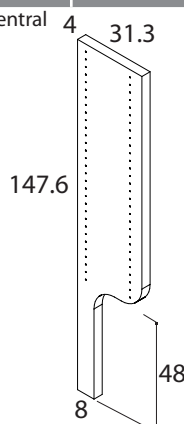
B-034D

94,00

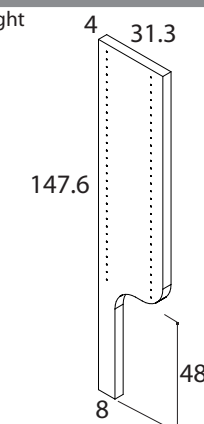
Left



Central



Right



FINISH ONLY 1



Description

Code

€

Left

B-036I

109,00

Central

B-036C

123,00

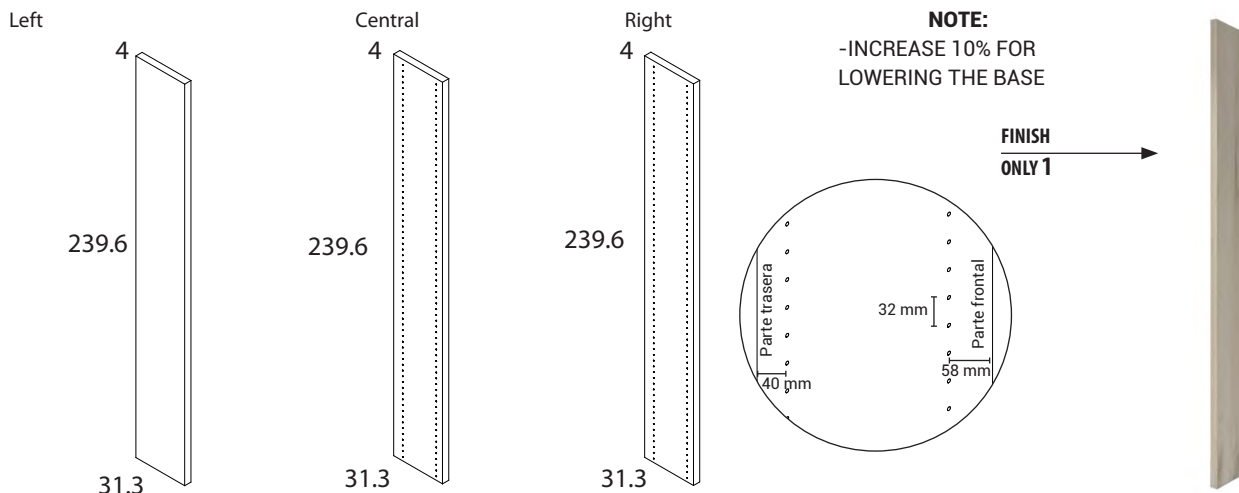
Right

B-036D

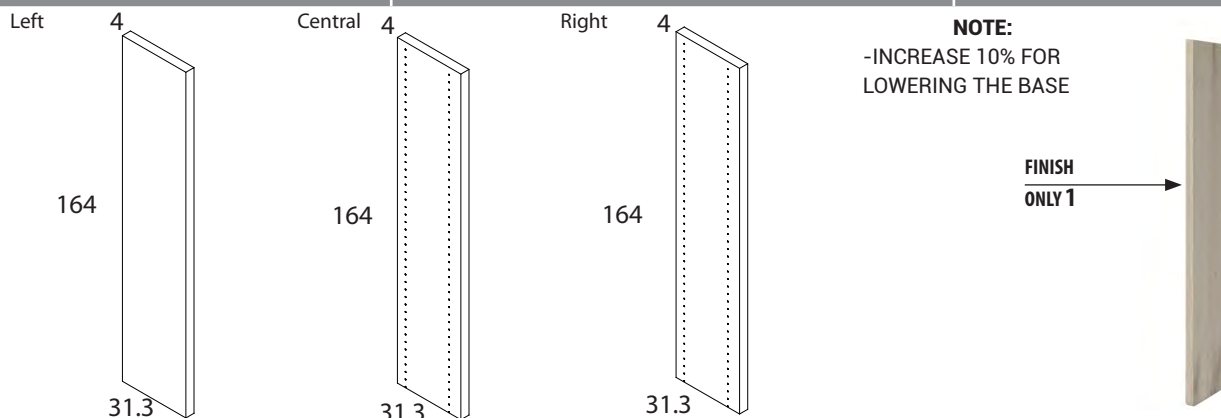
109,00

COLUMNS SIDE CHEEKS 240 (4 cm)

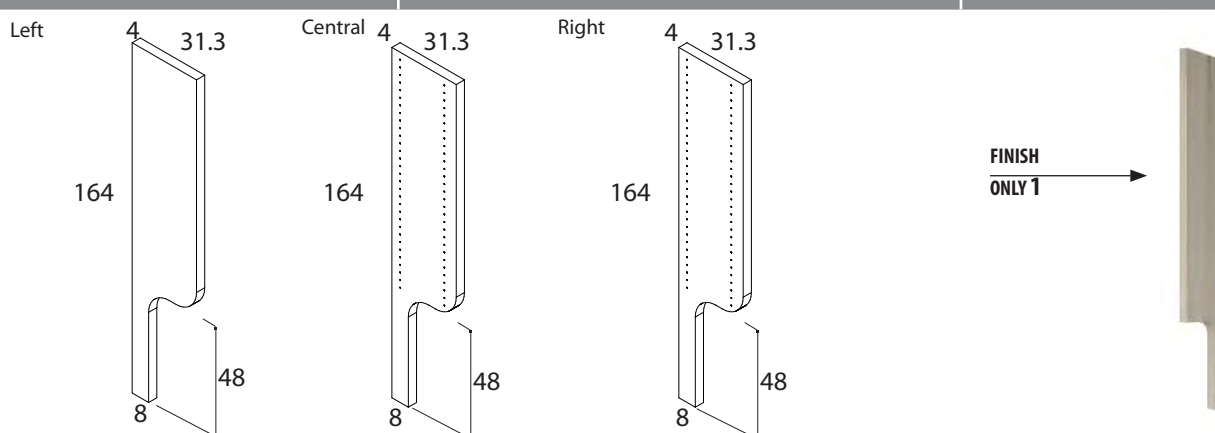
Depth 31.3



Description	Code	€
Left	B-026I	115,00
Central	B-026C	133,00
Right	B-026D	115,00



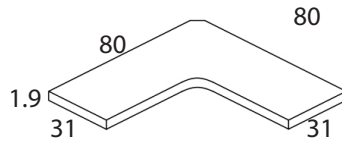
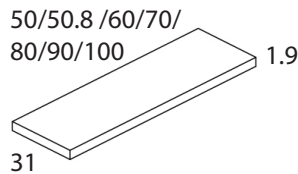
Description	Code	€
Left	B-030I	94,00
Central	B-030C	109,00
Right	B-030D	94,00



Description	Code	€
Left	B-029I	109,00
Central	B-029C	123,00
Right	B-029D	109,00

COLUMNS SHELVES

Depth 31.3

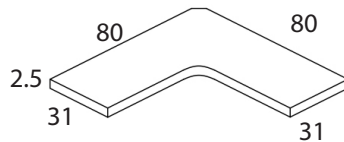
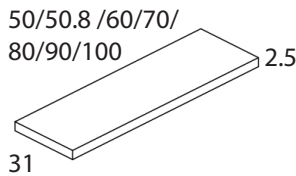


FINISH
ONLY 2

BOARD: 1.9 cm

NOTE:
-INCREASE 10% FOR
LOWERING THE BASE

Description	Code	€
Width 50cm	B-071C19	37,00
Width 50.8cm	B-078C19	37,00
Width 60cm	B-072C19	38,00
Width 70cm	B-073C19	40,00
Width 80cm	B-074C19	41,00
Width 90cm	B-075C19	43,00
Width 100cm	B-076C19	44,00
Corner of 80x80cm	B-077C19	72,00

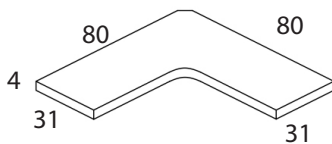
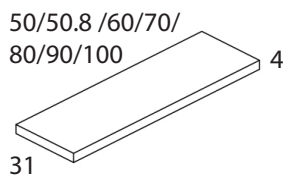


FINISH
ONLY 1

BOARD: 2.5 cm

NOTE:
-INCREASE 10% FOR
LOWERING THE BASE

Description	Code	€
Width 50cm	B-071C25	39,00
Width 50.8cm	B-078C25	39,00
Width 60cm	B-072C25	41,00
Width 70cm	B-073C25	42,00
Width 80cm	B-074C25	44,00
Width 90cm	B-075C25	46,00
Width 100cm	B-076C25	48,00
Corner of 80x80cm	B-077C25	78,00



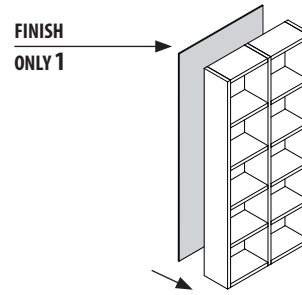
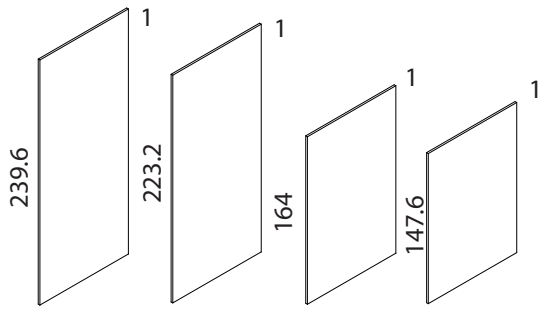
FINISH
ONLY 1

BOARD: 4 cm

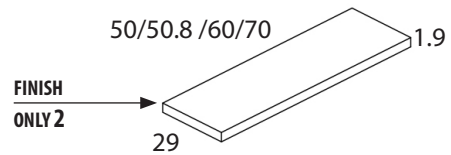
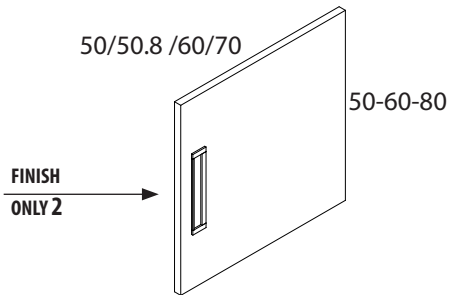
NOTE:
-INCREASE 10% FOR
LOWERING THE BASE

Description	Code	€
Width 50cm	B-071C	44,00
Width 50.8cm	B-078C	44,00
Width 60cm	B-072C	46,00
Width 70cm	B-073C	49,00
Width 80cm	B-074C	52,00
Width 90cm	B-075C	54,00
Width 100cm	B-076C	57,00
Corner of 80x80cm	B-077C	94,00

COLUMNS SHELVES



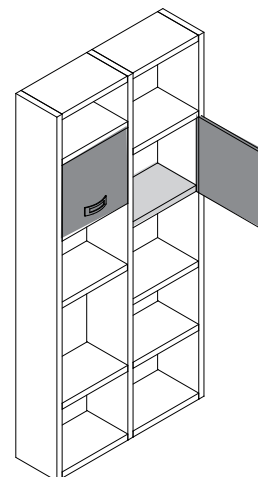
Description	Code	€ m2
Back side h:147.6 cm	B-147TS	61,00
Back side h:164cm	B-164TS	61,00
Back side h:223.2 cm	B-223TS	61,00
Back side h:239.6 cm	B-240TS	61,00

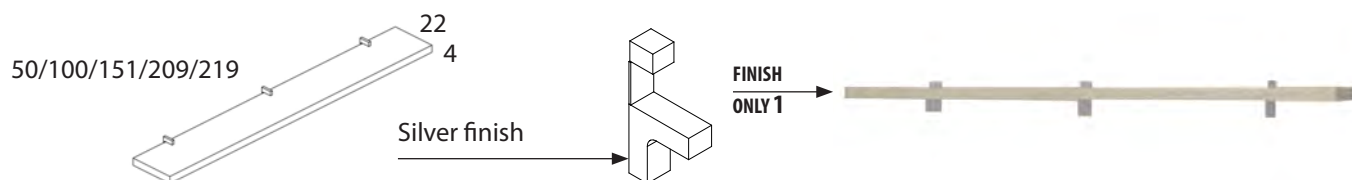


Inner shelf for columns with door

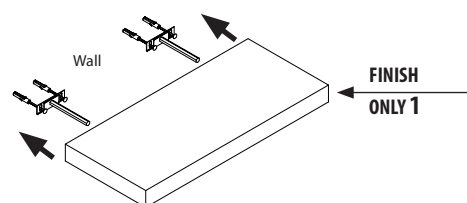
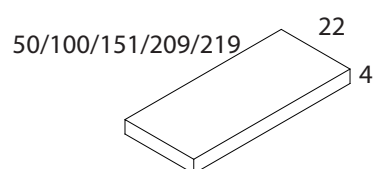
Description	Code	€
Doors 50x50	B-PT5-50	65,00
Doors 50x60	B-PT6-50	68,00
Doors 50x80	B-PT8-50	72,00
Doors 50.8x50	B-PT5-508	66,00
Doors 50.8x60	B-PT6-508	69,00
Doors 50.8x80	B-PT8-508	73,00
Doors 60x50	B-PT5-60	67,00
Doors 60x60	B-PT6-60	70,00
Doors 60x80	B-PT8-60	75,00

Description	Code	€
Width 50	B-041C	36,00
Width 50.8	B-043C	36,00
Width 60	B-042C	37,00
Width 70	B-044C	38,00





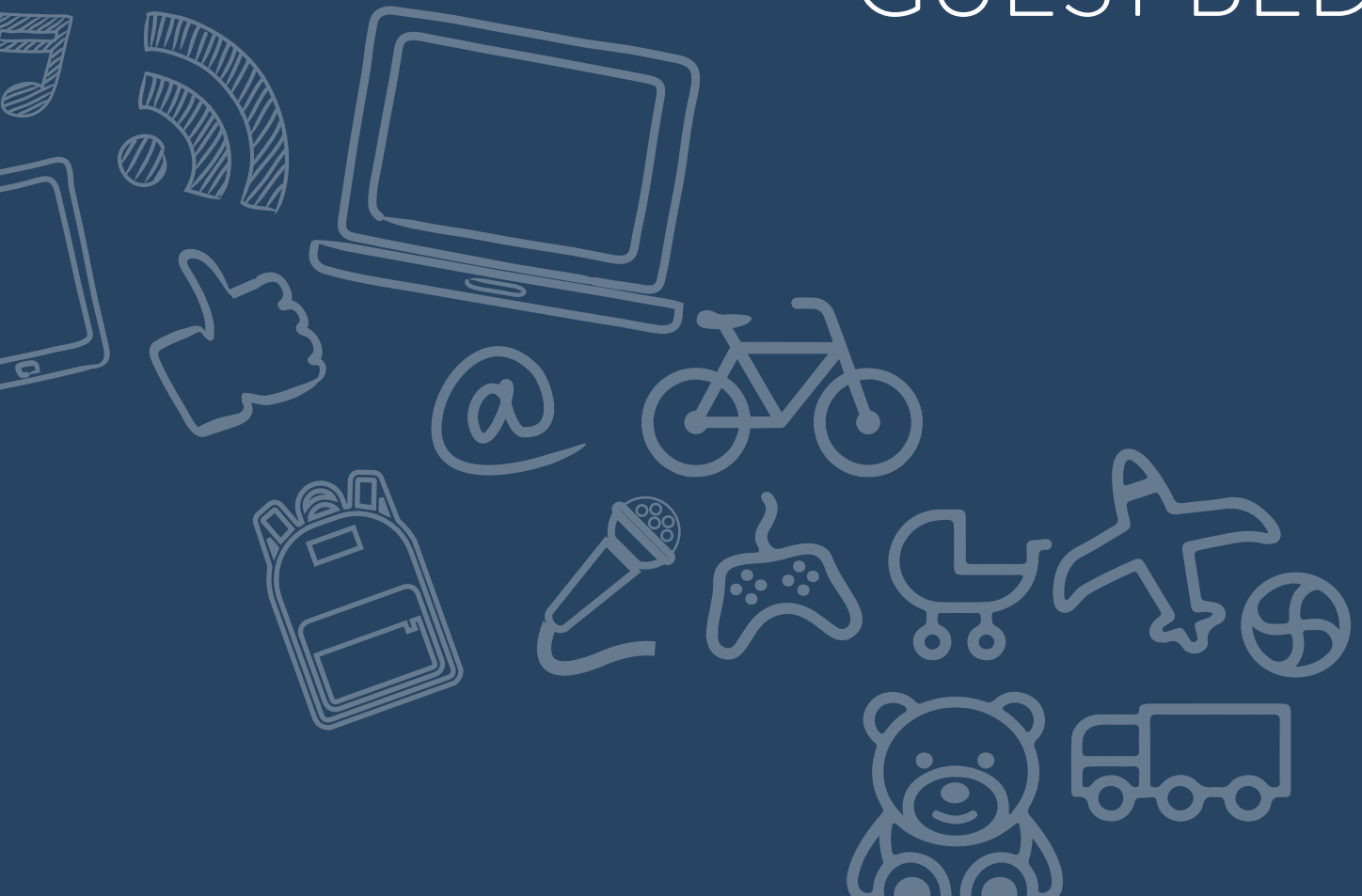
Description	Code	€
Width 50cm (2 supports included)	B-062	86,00
Width 100cm (3 supports included)	B-075	96,00
Width 151cm (3 supports included)	B-068	132,00
Width 209cm (3 supports included)	B-069	150,00
Width 219cm (3 supports included)	B-070	157,00



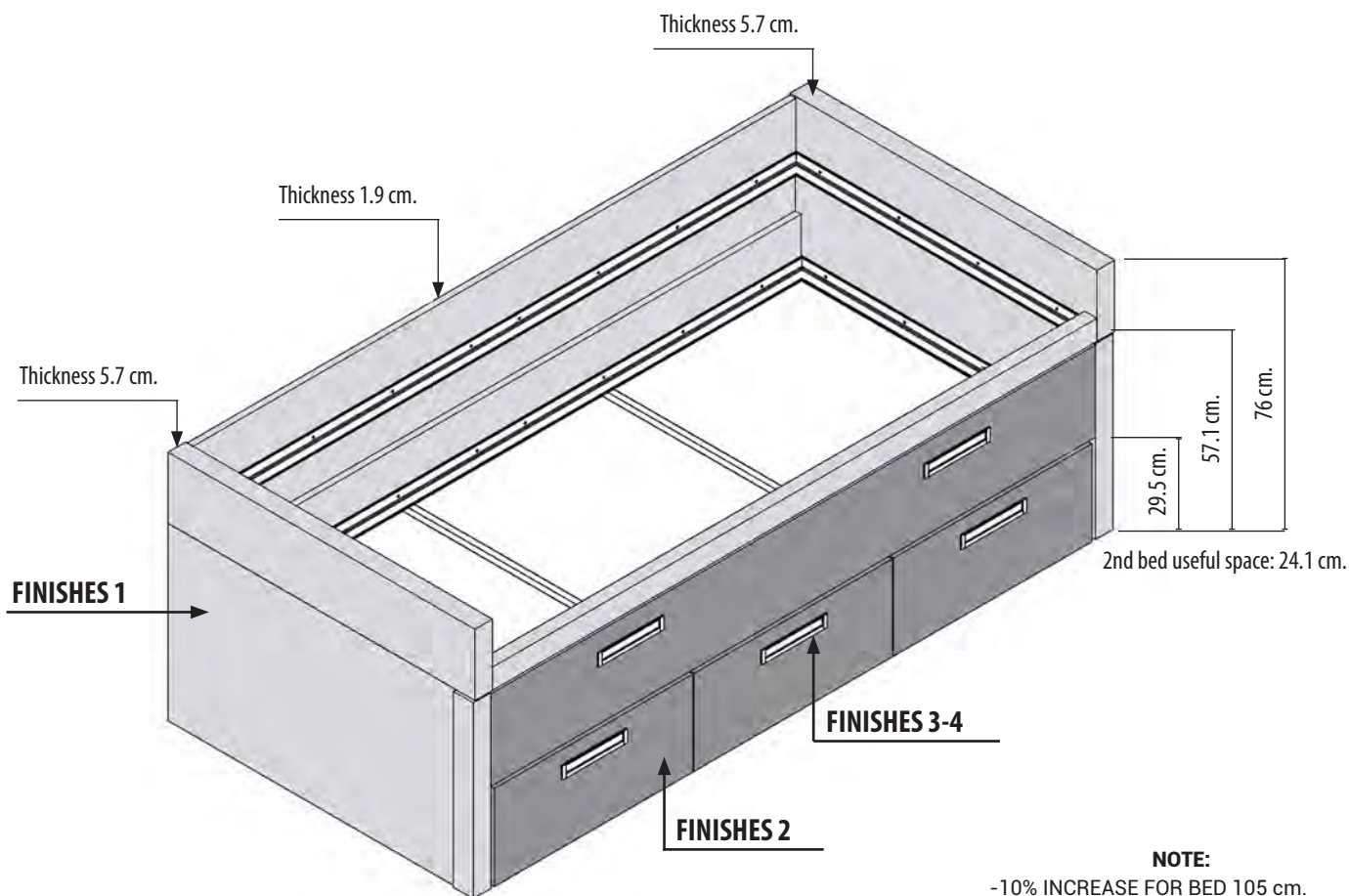
Description	Code	€
Width 50cm (2 supports included)	B-062-O	78,00
Width 100cm (3 supports included)	B-075-O	88,00
Width 151cm (3 supports included)	B-068-O	113,00
Width 209cm (3 supports included)	B-069-O	135,00
Width 219cm (3 supports included)	B-070-O	142,00

Note: The minimum measurement to be able to manufacture with a hidden support is 50x14 cm

CAPTAINS BEDS WITH PULL-OUT GUEST BED







BEDS- CAPTAINS BEDS WITH PULL-OUT GUEST BED STAR



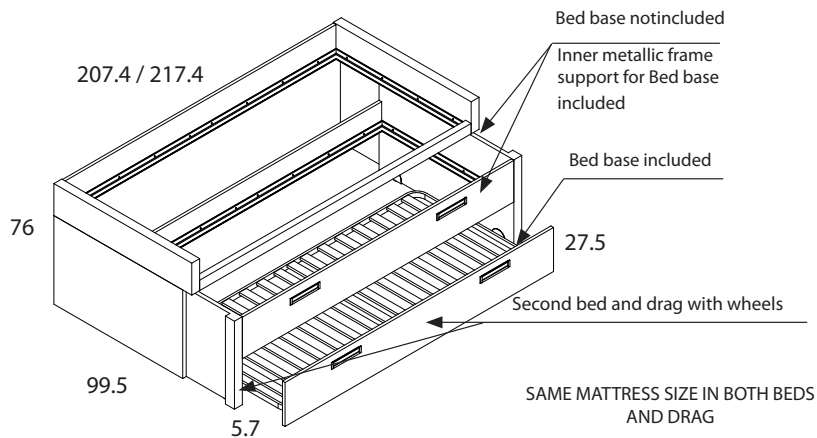
NOTE:
 -10% INCREASE FOR BED 105 cm.
 (Attention only upper bed. Bed bottom and standard size drawers)

Order Examples

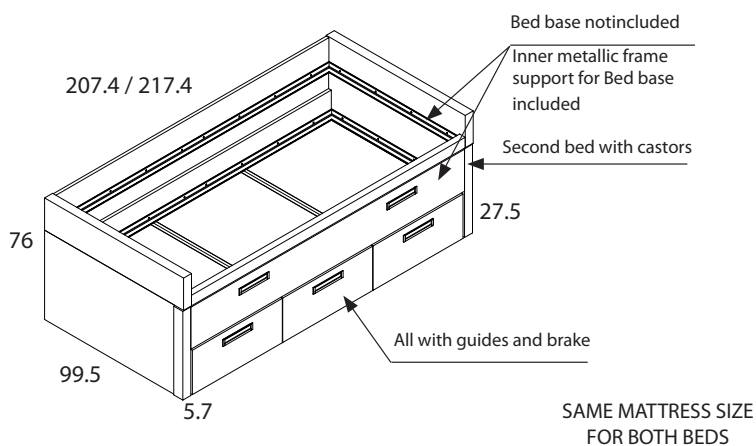
REFERENCE	FINISHES 1	FINISHES 2	FINISHES 3	FINISHES 4	€
SC503	RT ROBLE RÚSTICO	GA GRIS ARCILLA	M4	BL BLANCO	1.662,00
					



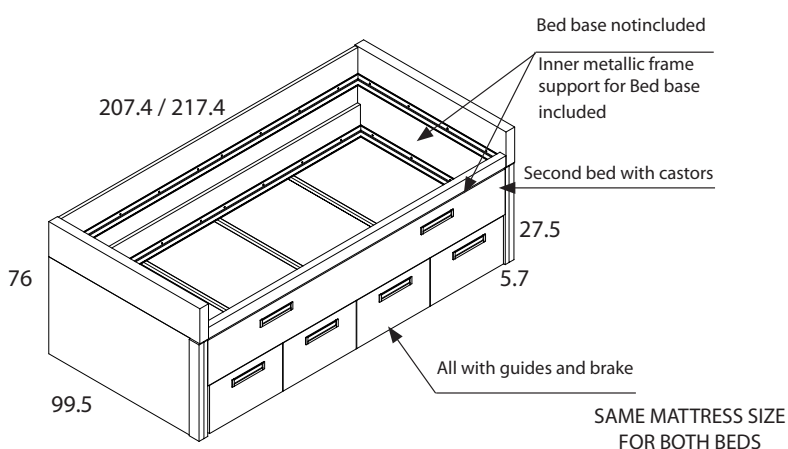
BICAMAS STAR RECTO H:76



Description	Code	€
SOMIER 190x90	SR501	1.284,00
SOMIER 200x90	SR500	1.334,00

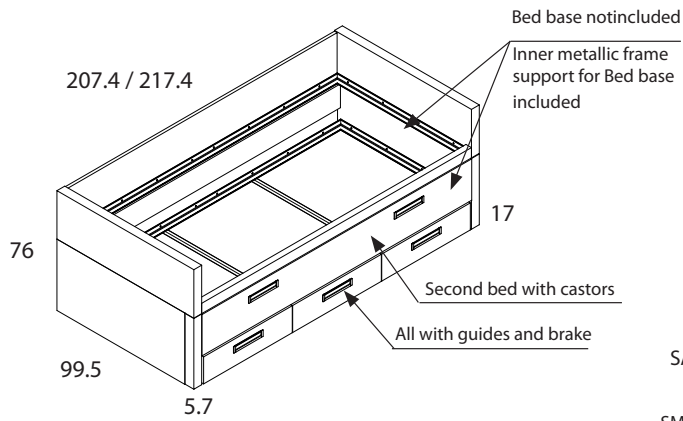


Description	Code	€
SOMIER 190x90	SR503	1.636,00
SOMIER 200x90	SR502	1.686,00



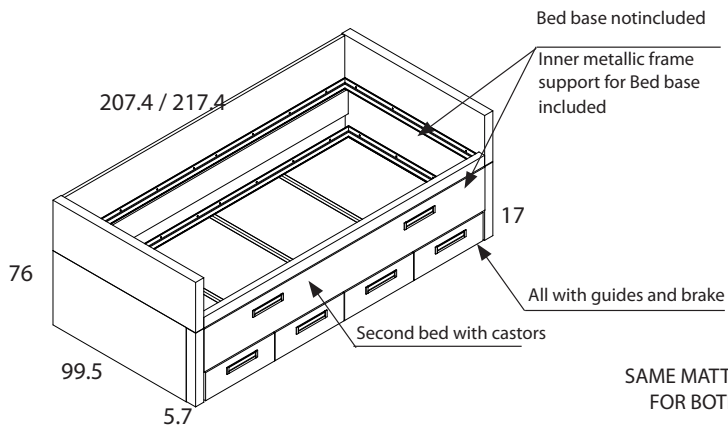
Description	Code	€
SOMIER 190x90	SR505	1.831,00
SOMIER 200x90	SR504	1.881,00

BICAMA STAR RECTO H:76



SAME MATTRESS SIZE
FOR BOTH BEDS
SMALL DRAWER 17 cm

Description	Code	€
SOMIER 190x90	SR513	1.636,00
SOMIER 200x90	SR512	1.686,00

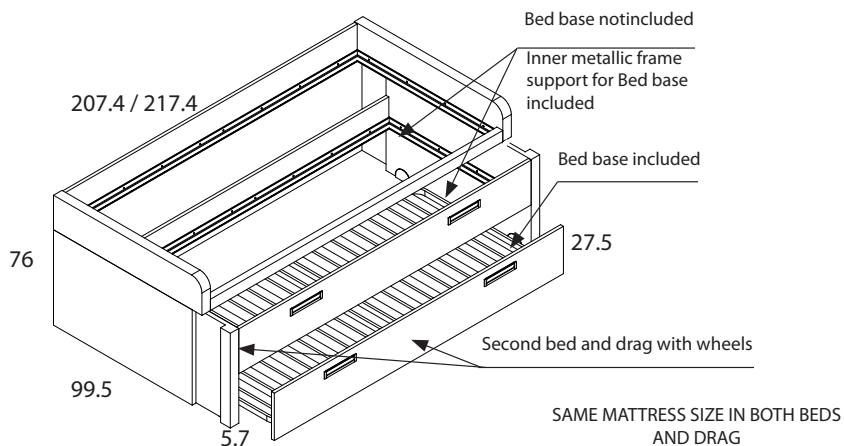


SAME MATTRESS SIZE
FOR BOTH BEDS
SMALL DRAWER 17 cm

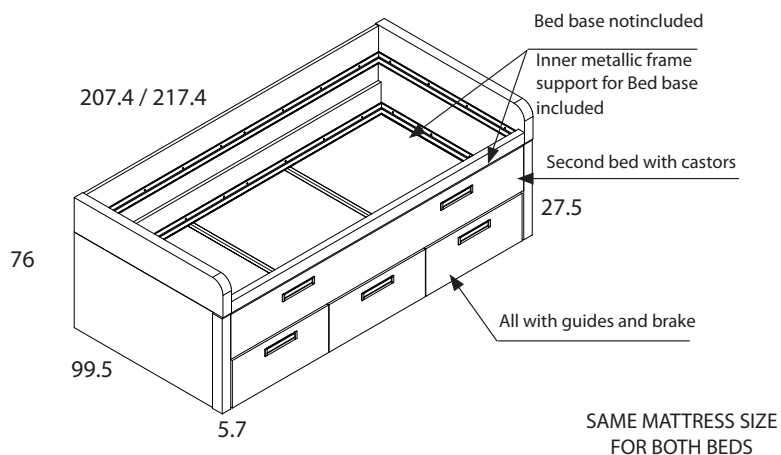
Description	Code	€
SOMIER 190x90	SR515	1.831,00
SOMIER 200x90	SR514	1.881,00

NOTE: SEE BACK AND BASE OPTIONS ON PAGES 37-38-39

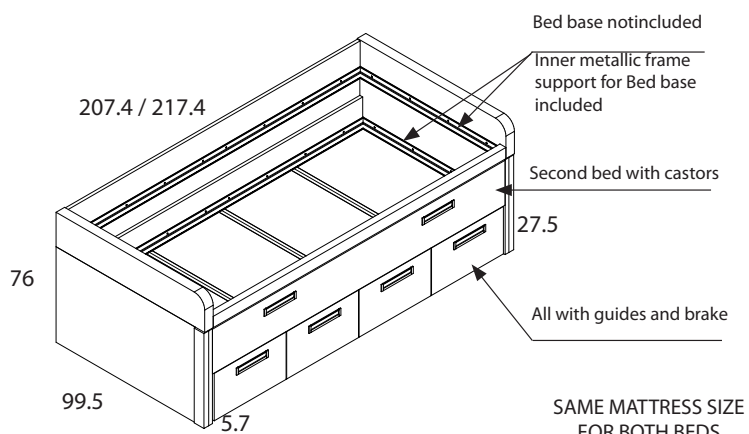
BICAMA STAR CURVED H:76



Description	Code	€
SOMIER 190x90	SC501	1.310,00
SOMIER 200x90	SC500	1.360,00

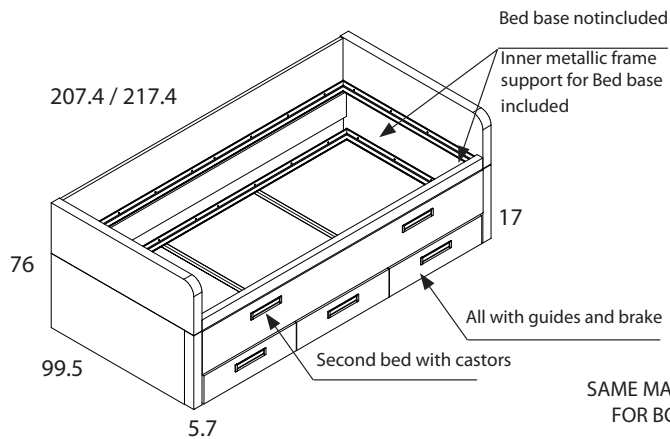


Description	Code	€
SOMIER 190x90	SC503	1.662,00
SOMIER 200x90	SC502	1.712,00



Description	Code	€
SOMIER 190x90	SC505	1.857,00
SOMIER 200x90	SC504	1.907,00

BICAMA STAR CURVED H:76



SAME MATTRESS SIZE
FOR BOTH BEDS

SMALL DRAWER 17 cm



Description

Code

€

SOMIER 190x90

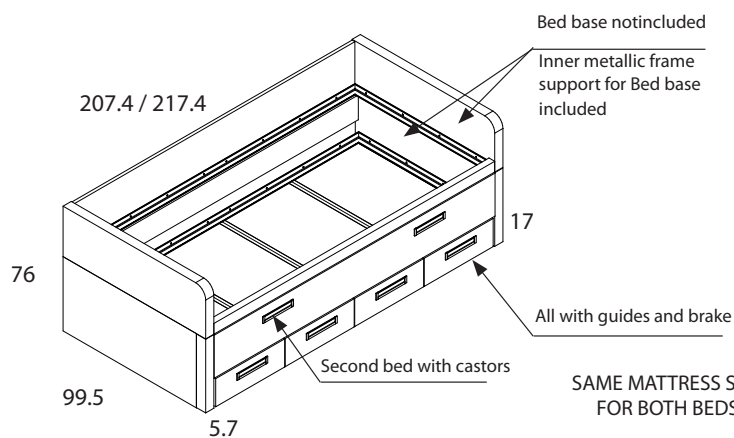
SC513

1.662,00

SOMIER 200x90

SC512

1.712,00



SAME MATTRESS SIZE
FOR BOTH BEDS

SMALL DRAWER 17 cm



Description

Code

€

SOMIER 190x90

SC515

1.857,00

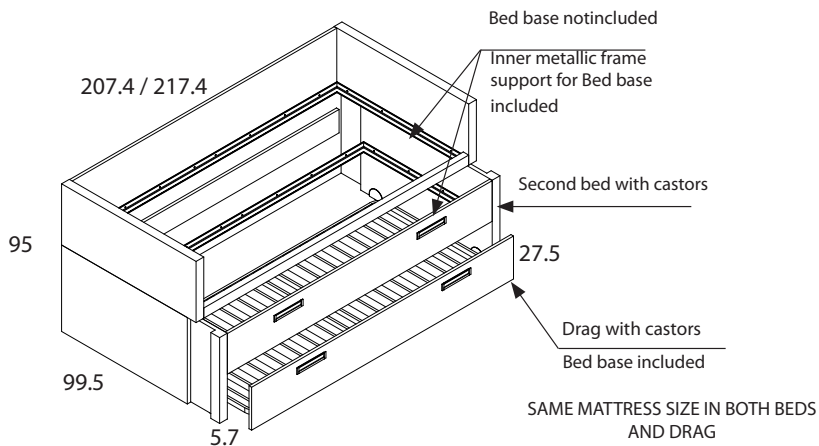
SOMIER 200x90

SC514

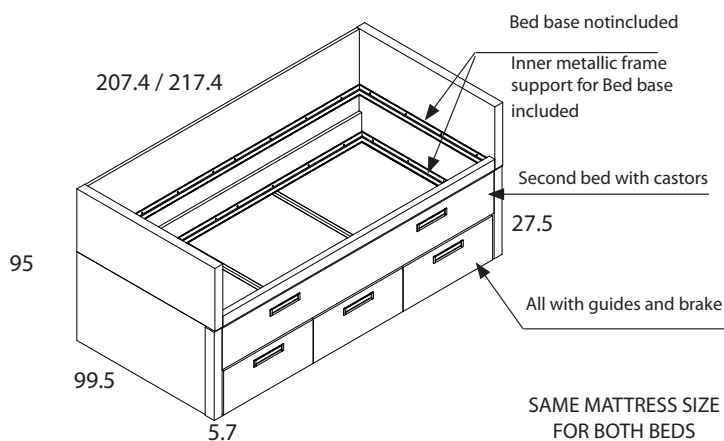
1.907,00

NOTE: SEE BACK AND BASE OPTIONS ON PAGES 37-38-39

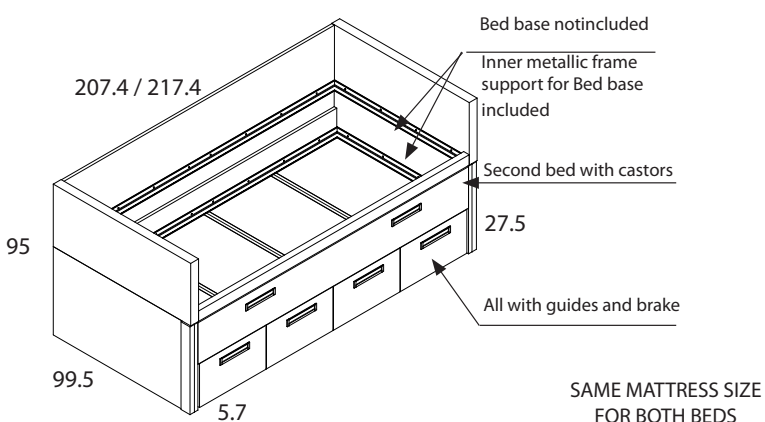
BICAMA STAR RECTA H:95



Description	Code	€
SOMIER 190x90	SR507	1.330,00
SOMIER 200x90	SR506	1.380,00

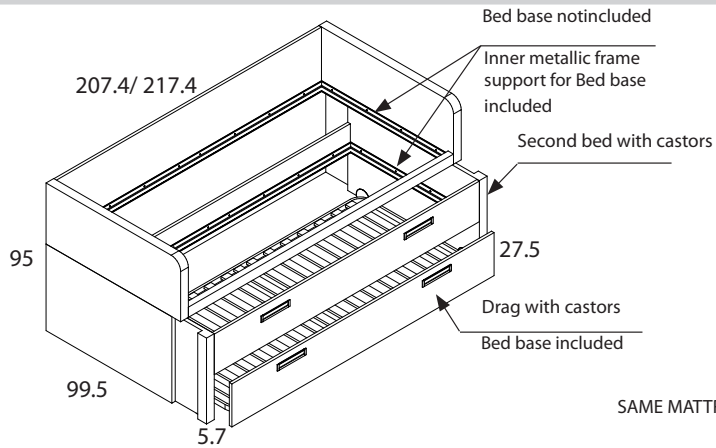


Description	Code	€
SOMIER 190x90	SR509	1.683,00
SOMIER 200x90	SR508	1.733,00



Description	Code	€
SOMIER 190x90	SR511	1.877,00
SOMIER 200x90	SR510	1.927,00

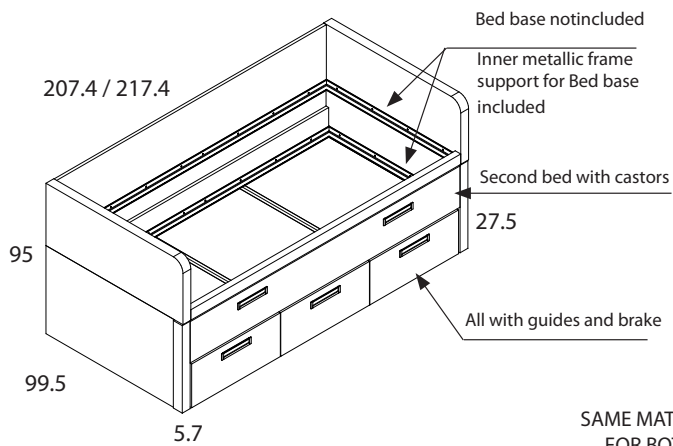
BICAMA STAR CURVED H:95



SAME MATTRESS SIZE IN BOTH BEDS AND DRAG



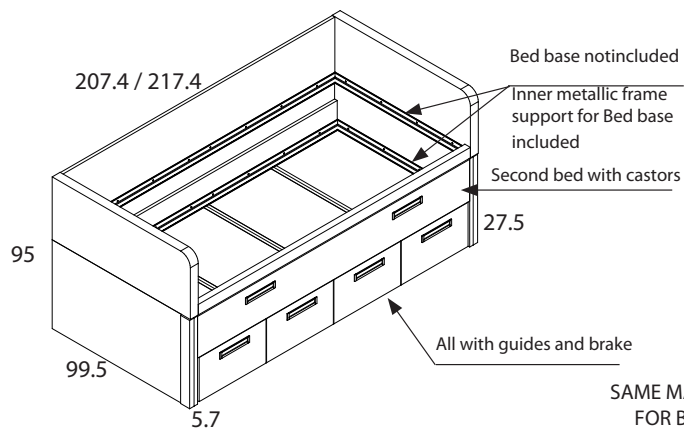
Description	Code	€
SOMIER 1900x900	SC507	1.356,00
SOMIER 2000x900	SC506	1.406,00



SAME MATTRESS SIZE FOR BOTH BEDS



Description	Code	€
SOMIER 1900x900	SC509	1.709,00
SOMIER 2000x900	SC508	1.759,00

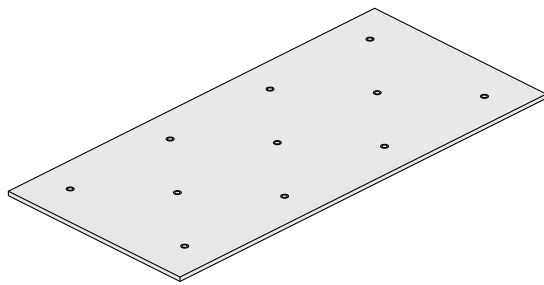


SAME MATTRESS SIZE FOR BOTH BEDS



Description	Code	€
SOMIER 1900x900	SC511	1.903,00
SOMIER 2000x900	SC510	1.953,00

BICAMA STAR WALL PANEL

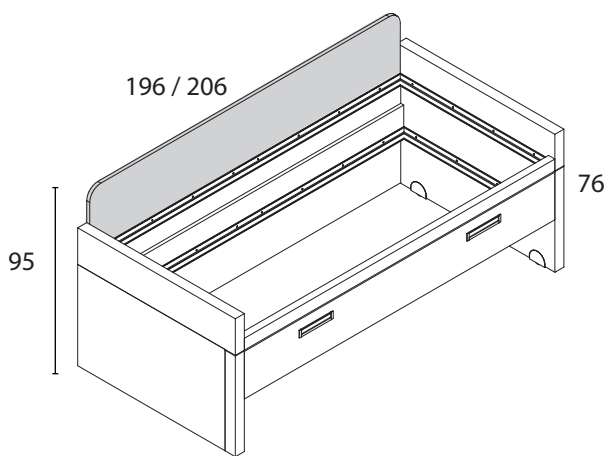


ONLY WITH FINISH
BOARD: 19 mm

NOTE:
-BOARD 190X105= 90 POINTS
-BOARD 200X105= 103 POINTS

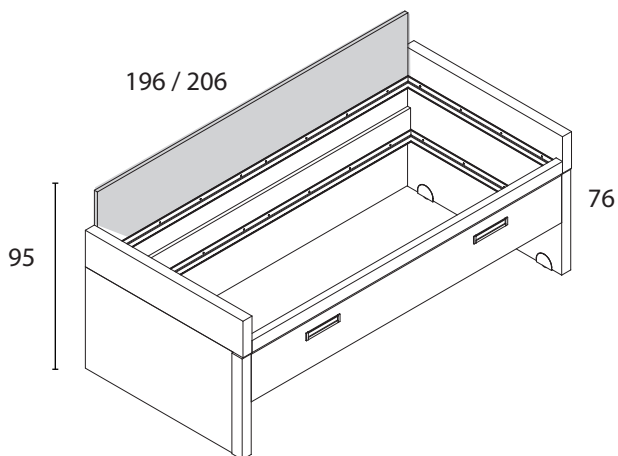
Description	Code	€
PANEL 1900x900	B-90TB	77,00
PANEL 2000x900	B-90TP	90,00

BOARD: 19 mm



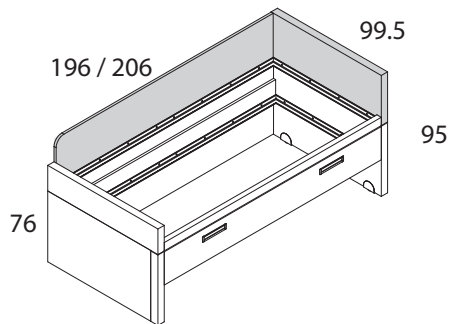
Description	Code	€
WALL PROTECTIVE COVERING 1900	SARC190	99,00
WALL PROTECTIVE COVERING 2000	SARC200	99,00

BOARD: 19 mm



Description	Code	€
WALL PROTECTIVE 1900	SARR190	85,00
WALL PROTECTIVE 2000	SARR200	85,00

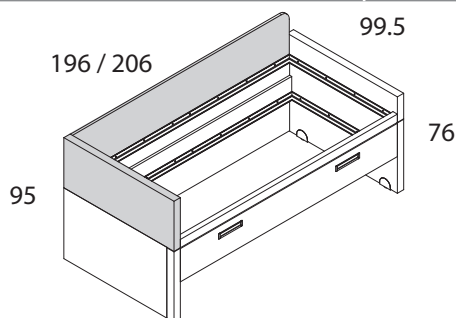
BICAMA STAR WALL PANEL



BACK PANEL STRAIGHT /
CURVE LEFT



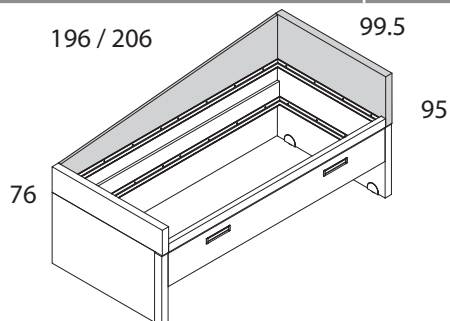
Description	Code	€
RIGHT ARM H:95(190)	SRACI190	210,00
RIGHT ARM H:95(200)	SRACI200	210,00



BACK PANEL STRAIGHT /
CURVE RIGHT



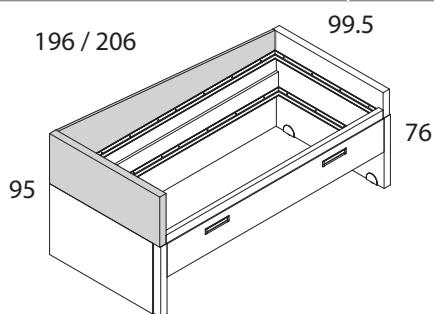
Description	Code	€
LEFT ARM H:95(190)	SRACD190	210,00
LEFT ARM H:95(200)	SRACD200	210,00



BACK INCLINED LEFT



Description	Code	€
RIGHT ARM H:95(190)	SRAII190	210,00
RIGHT ARM H:95(200)	SRAII200	210,00

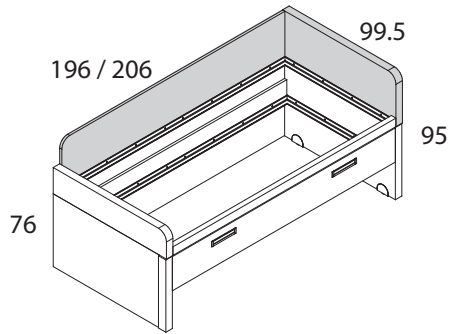


BACK INCLINED RIGHT



Description	Code	€
LEFT ARM H:95(190)	SRAID190	210,00
LEFT ARM H:95(200)	SRAID200	210,00

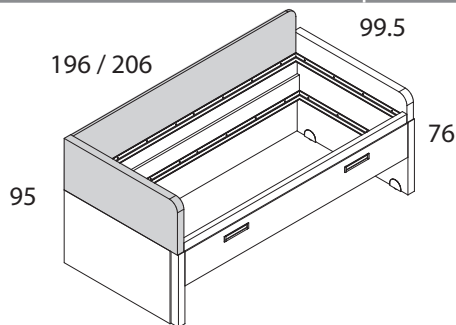
BICAMA STAR WALL PANEL



BACK PANEL STRAIGHT /
CURVE LEFT



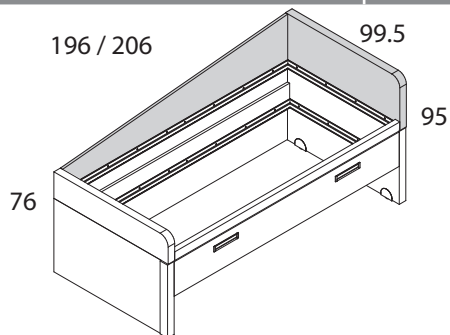
Description	Code	€
RIGHT ARM H:95(190)	SCACI190	210,00
RIGHT ARM H:95(200)	SCACI200	210,00



BACK PANEL STRAIGHT /
CURVE RIGHT



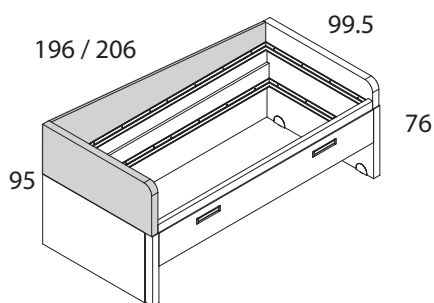
Description	Code	€
LEFT ARM H:95(190)	SCACD190	210,00
LEFT ARM H:95(200)	SCACD200	210,00



BACK INCLINED LEFT



Description	Code	€
RIGHT ARM H:95(190)	SCAII190	210,00
RIGHT ARM H:95(200)	SCAII200	210,00



BACK INCLINED RIGHT



Description	Code	€
LEFT ARM H:95(190)	SCAID190	210,00
LEFT ARM H:95(200)	SCAID200	210,00

FOLDING BEDS





“Sistema Sincro”



SINCRO FOLDING BEDS



Order Examples

REFERENCE	FINISHES 1	FINISHES 2	FINISHES 3	FINISHES 4	€
B-202	RT RUSTIC OAK	BR PINKED GREY	M4	BL WHITE	1.585
					



SINCRO FOLDING BEDS TECHNICIAN



MATTRESS THICKNESS OF 18/20 cm.

SINCRO FOLDING BEDS TECHNICIAN



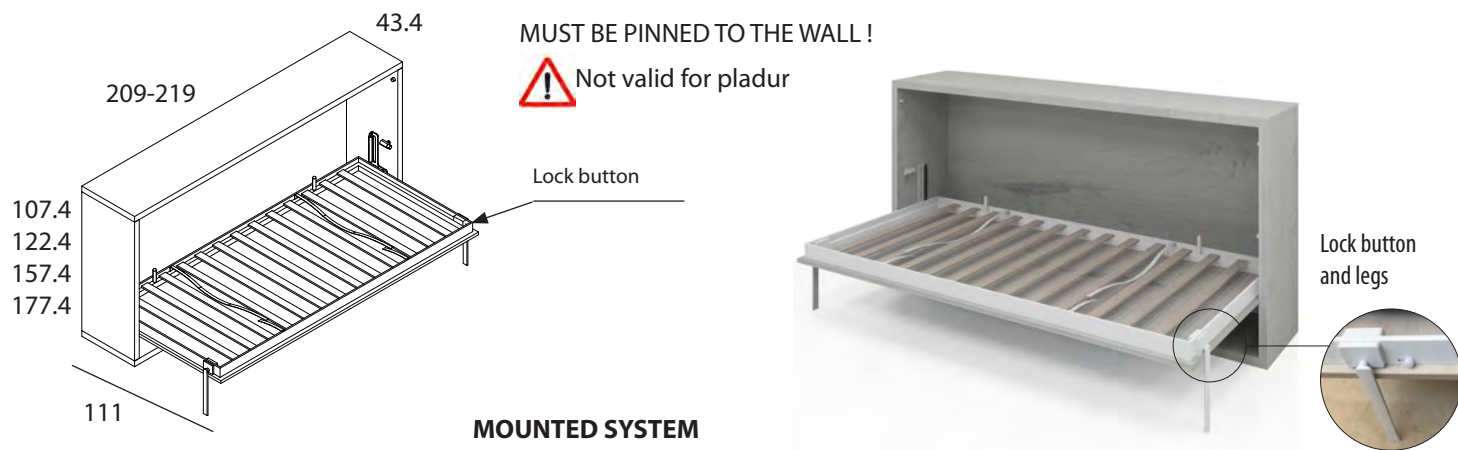
Folding bunk includes:

- . Ladders
- . Save fears top bed
- . 45° inclination system
- . Supports mattress thickness 18/20 cm

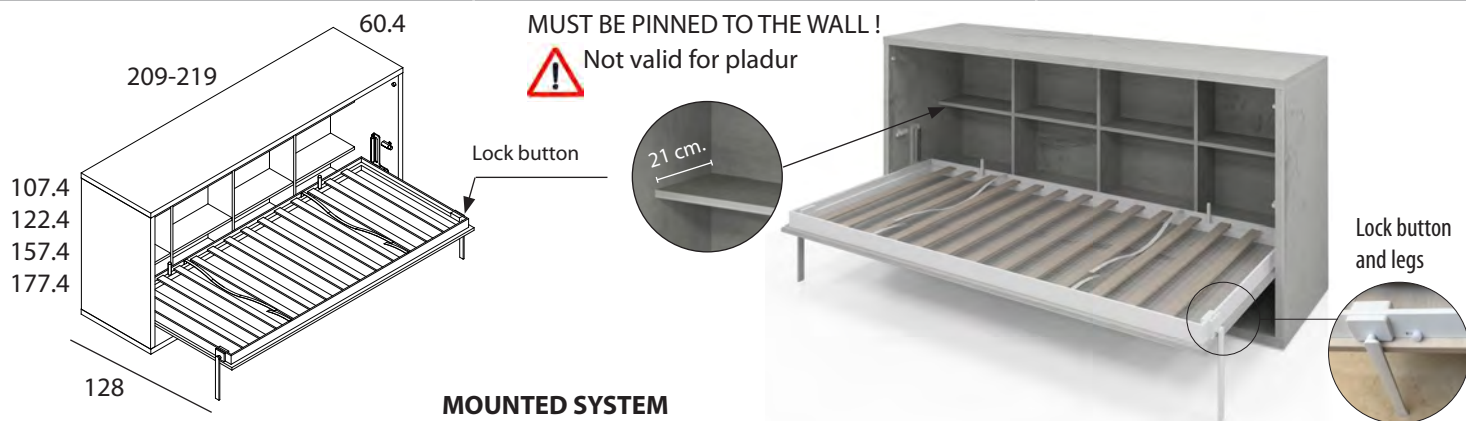
NOTE:

-LOWERING THE BASE:
Consult factory

SINCRO FOLDING BEDS



Description	Code	€
SOMIER 190x90 (h: 107.4 cm)	B-201P	1.405,00
SOMIER 200x90 (h: 107.4 cm)	B-201	1.551,00
SOMIER 190x105 (h: 122.4 cm)	B-202P	1.438,00
SOMIER 200x105 (h: 122.4 cm)	B-202	1.585,00
SOMIER 190x140 (h:157.4 cm)	B-203P	1.774,00
SOMIER 200x140 (h:157.4 cm)	B-203	1.915,00
SOMIER 190x160 (h:177.4 cm)	B-204P	1.831,00
SOMIER 200x160 (h:177.4 cm)	B-204	1.967,00



Description	Code	€
SOMIER 190x90 (h: 107.4 cm)	B-205P	1.585,00
SOMIER 200x90 (h: 107.4 cm)	B-205	1.738,00
SOMIER 190x105 (h: 122.4 cm)	B-206P	1.628,00
SOMIER 200x105 (h: 122.4 cm)	B-206	1.774,00
SOMIER 190x140 (h:157.4 cm)	B-207P	1.969,00
SOMIER 200x140 (h:157.4 cm)	B-207	2.115,00
SOMIER 190x160 (h:177.4 cm)	B-208P	2.036,00
SOMIER 200x160 (h:177.4 cm)	B-208	2.169,00

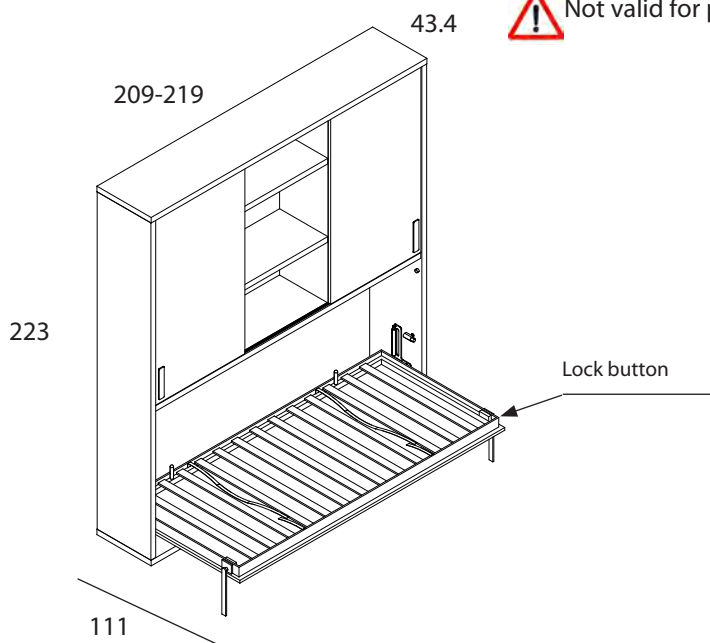
SINCRO FOLDING BEDS

H: 223 cm.

MUST BE PINNED TO THE WALL !



Not valid for pladur



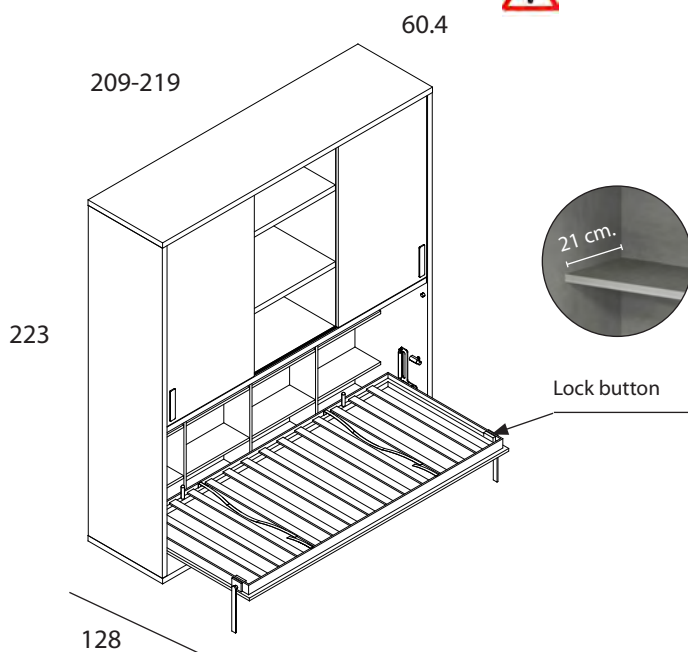
MOUNTED SYSTEM

Description	Code	€
SOMIER 190x90	B-214P	1.954,00
SOMIER 200x90	B-214	2.144,00

MUST BE PINNED TO THE WALL !



Not valid for pladur




MOUNTED SYSTEM

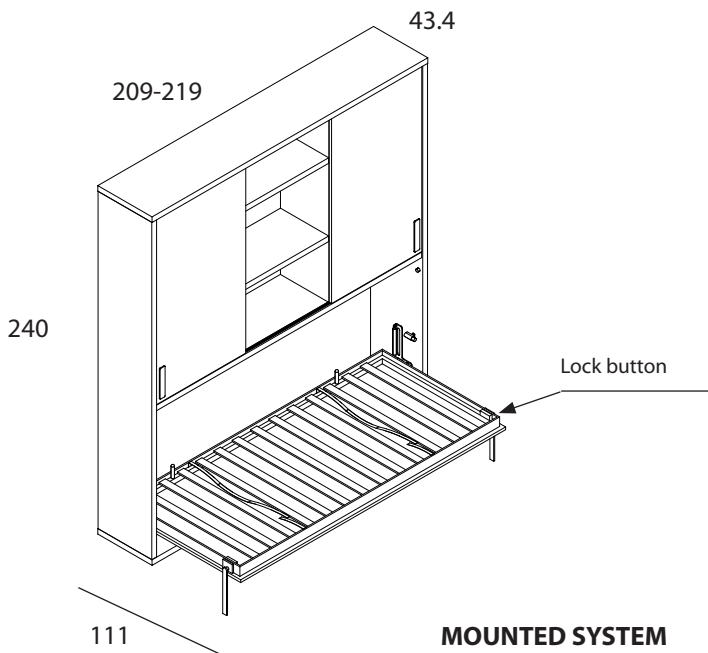
Description	Code	€
SOMIER 190x90	B-214BP	2.208,00
SOMIER 200x90	B-214B	2.362,00

SINCRO FOLDING BEDS

H: 240 cm.

MUST BE PINNED TO THE WALL !

 Not valid for pladur




MOUNTED SYSTEM

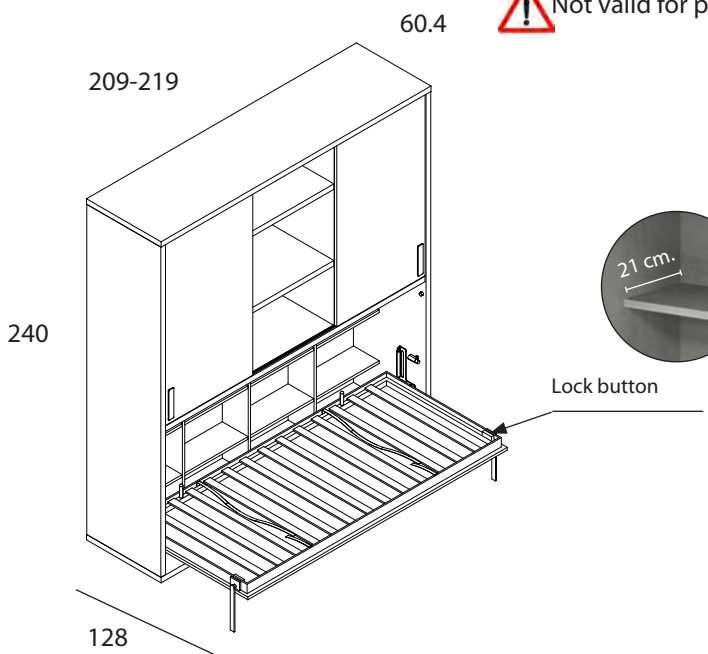


Lock button and legs

Description	Code	€
SOMIER 190x90	B-215P	1.974,00
SOMIER 200x90	B-215	2.136,00

MUST BE PINNED TO THE WALL !

 Not valid for pladur



MOUNTED SYSTEM



Lock button and legs


21 cm.

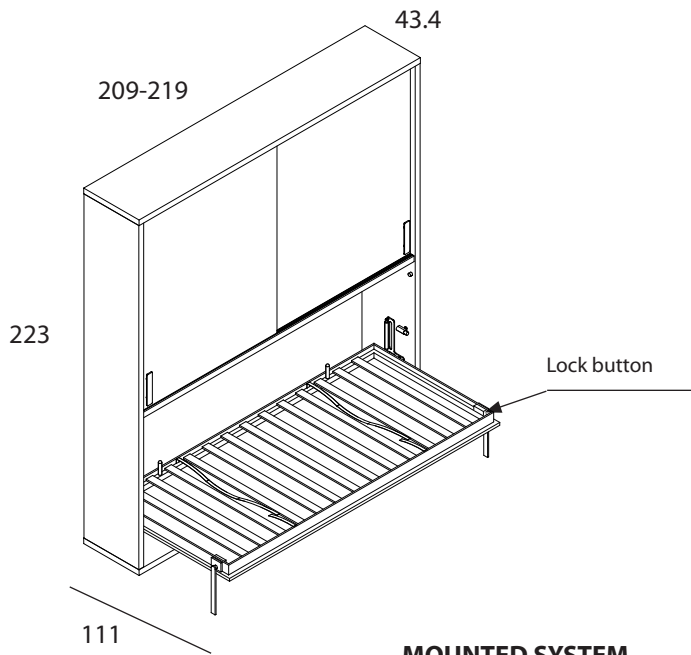
Description	Code	€
SOMIER 190x90	B-215BP	2.231,00
SOMIER 200x90	B-215B	2.400,00

SINCRO FOLDING BEDS

H: 223 cm.

MUST BE PINNED TO THE WALL !

 Not valid for pladur




MOUNTED SYSTEM

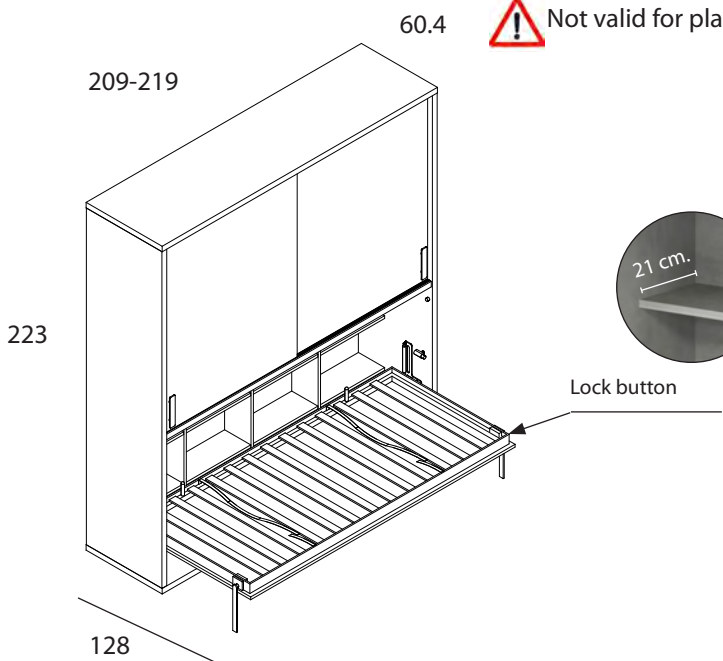


Lock button and legs

Description	Code	€
SOMIER 190x90	B-216P	1.915,00
SOMIER 200x90	B-216	2.069,00

MUST BE PINNED TO THE WALL !

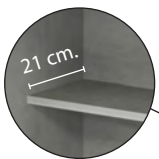
 Not valid for pladur



MOUNTED SYSTEM



Lock button and legs




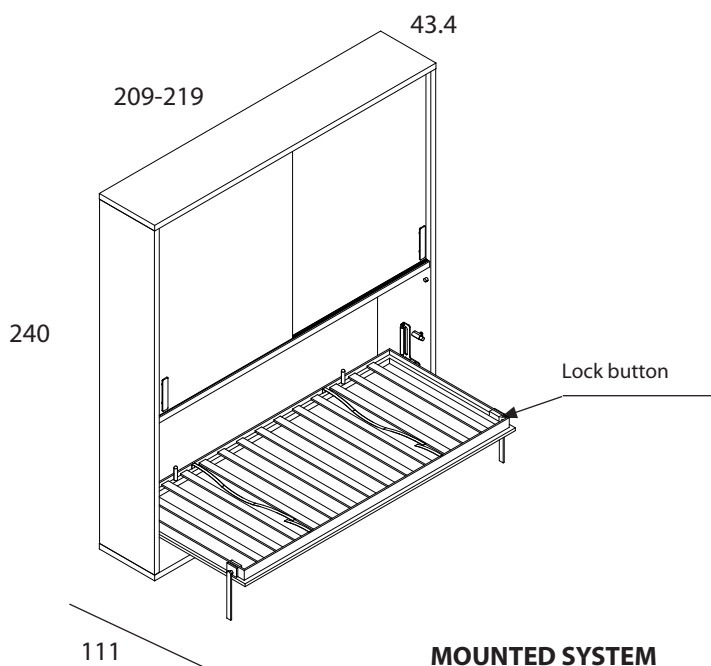
Description	Code	€
SOMIER 190x90	B-216BP	2.128,00
SOMIER 200x90	B-216B	2.290,00

SINCRO FOLDING BEDS

H: 240 cm.

MUST BE PINNED TO THE WALL !

 Not valid for pladur




MOUNTED SYSTEM

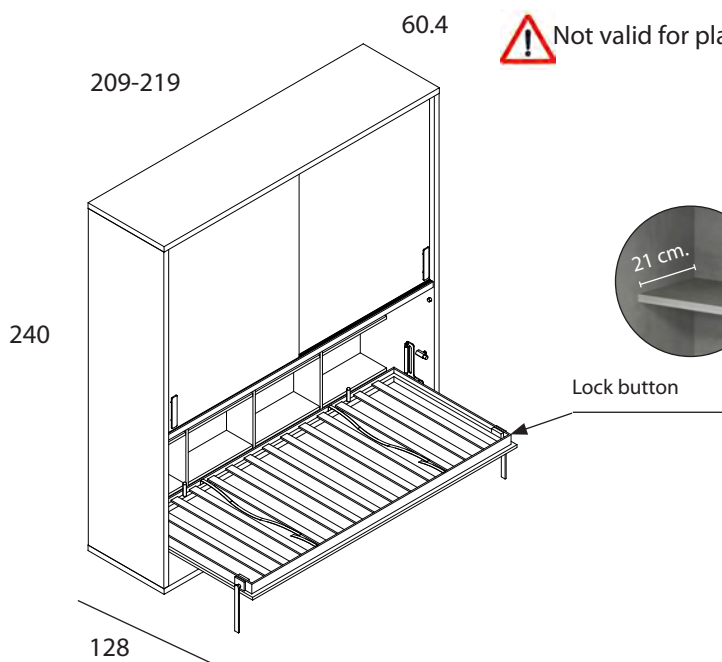


Lock button and legs

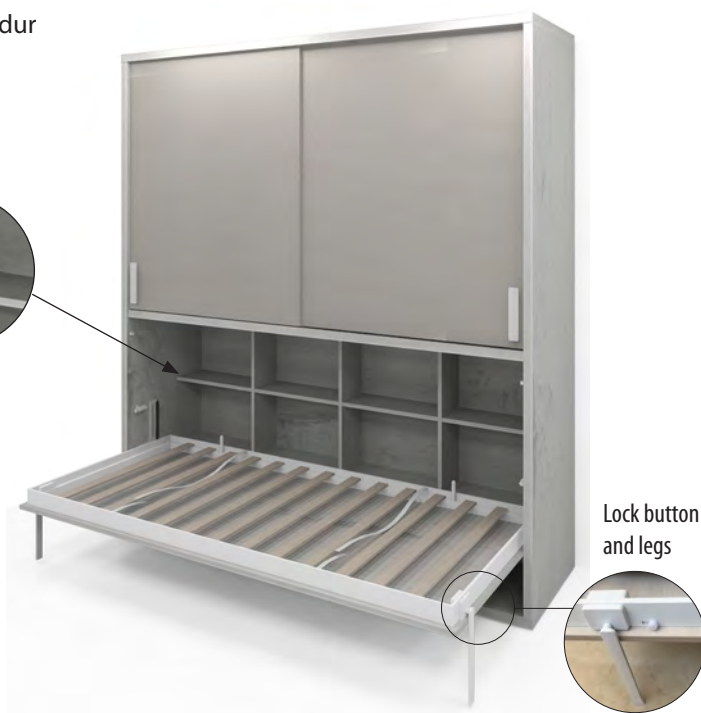
Description	Code	€
SOMIER 190x90	B-217P	1.938,00
SOMIER 200x90	B-217	2.097,00

MUST BE PINNED TO THE WALL !

 Not valid for pladur



MOUNTED SYSTEM



Lock button and legs

Description	Code	€
SOMIER 190x90	B-217BP	2.182,00
SOMIER 200x90	B-217B	2.344,00


SINCRO FOLDING BEDS

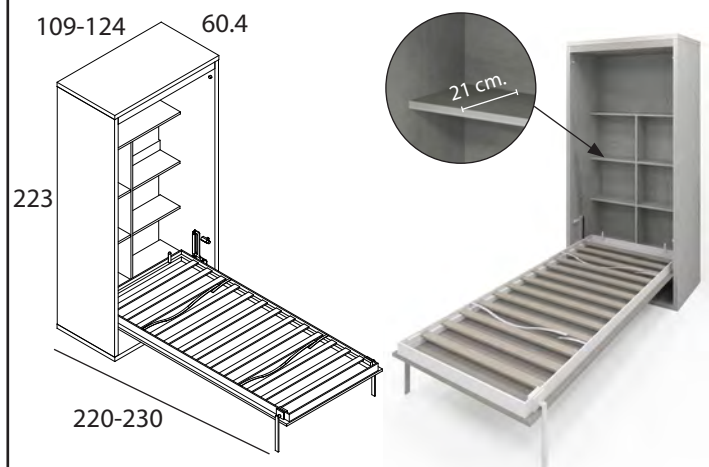
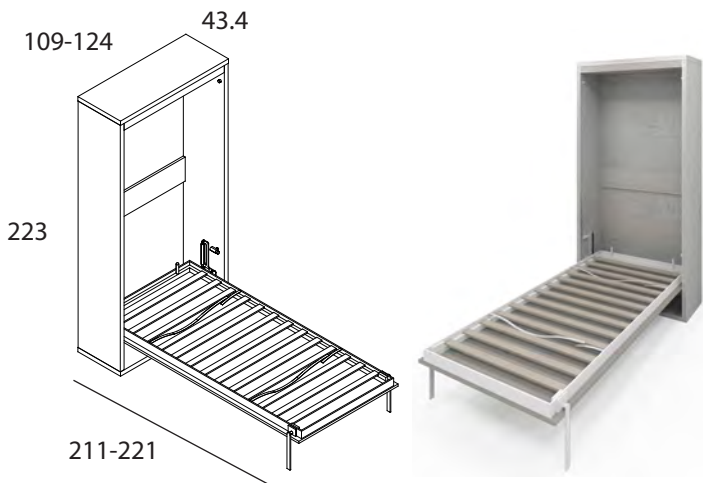
H: 223 cm. Fixed front

MOUNTED SYSTEM

Fixed front for:
Bed 190 - h:16.2 cm
Bed 200 - h: 6.2 cm

MUST BE PINNED TO THE WALL !

 Not valid for pladur




Description	Code	€
SOMIER 190x90 (f:43)	B-218AP	1.359,00
SOMIER 200x90 (f:43)	B-218A	1.515,00
SOMIER 190x105 (f:43)	B-219AP	1.451,00
SOMIER 200x105 (f:43)	B-219A	1.605,00

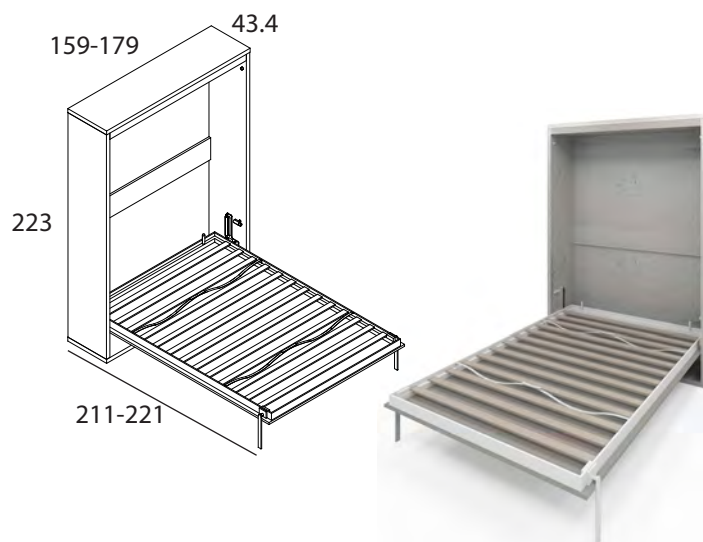
Description	Code	€
SOMIER 190x90 (f:60)	B-218ABP	1.500,00
SOMIER 200x90 (f:60)	B-218AB	1.659,00
SOMIER 190x105 (f:60)	B-219ABP	1.538,00
SOMIER 200x105 (f:60)	B-219AB	1.692,00

MOUNTED SYSTEM

Fixed front for:
Bed 190 - h:16.2 cm
Bed 200 - h: 6.2 cm

MUST BE PINNED TO THE WALL !

 Not valid for pladur



Description	Code	€
SOMIER 190x140 (f:43)	B-220AP	1.697,00
SOMIER 200x140 (f:43)	B-220A	1.846,00
SOMIER 190x160 (f:43)	B-221AP	1.767,00
SOMIER 200x160 (f:43)	B-221A	1.872,00

Description	Code	€
SOMIER 190x140 (f:60)	B-220ABP	1.859,00
SOMIER 200x140 (f:60)	B-220AB	2.008,00
SOMIER 190x160 (f:60)	B-221ABP	1.931,00
SOMIER 200x160 (f:60)	B-221AB	2.082,00


SINCRO FOLDING BEDS

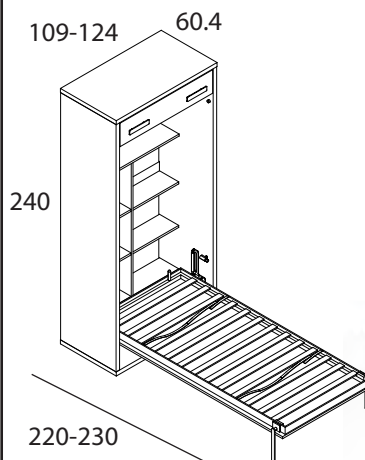
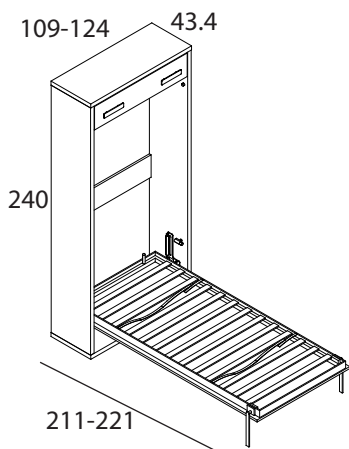
H: 240 cm. Closet loft

MOUNTED SYSTEM

Closet loft for:
Bed 190 - h:32 cm
Bed 200 - h:22 cm

MUST BE PINNED TO THE WALL !

 Not valid for pladur




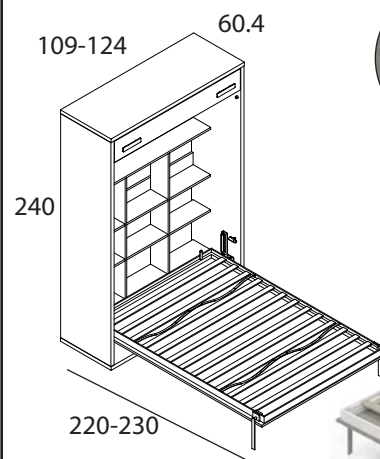
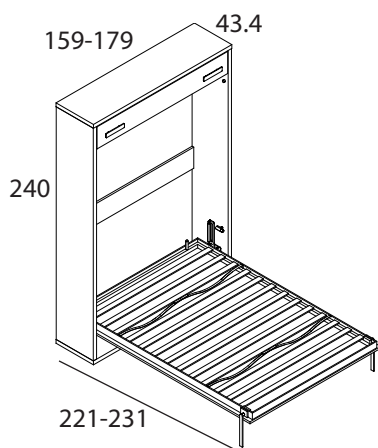
Description	Code	€	Description	Code	€
SOMIER 190x90 (f:43)	B-222AP	1.479,00	SOMIER 190x90 (f:60)	B-222ABP	1.620,00
SOMIER 200x90 (f:43)	B-222A	1.635,00	SOMIER 200x90 (f:60)	B-222AB	1.779,00
SOMIER 190x105 (f:43)	B-223AP	1.571,00	SOMIER 190x105 (f:60)	B-223ABP	1.658,00
SOMIER 200x105 (f:43)	B-223A	1.725,00	SOMIER 200x105 (f:60)	B-223AB	1.812,00

MOUNTED SYSTEM

Closed loft for:
Bed 190 - h:32 cm
Bed 200 - h:22 cm

MUST BE PINNED TO THE WALL !

 Not valid for pladur



Description	Code	€	Description	Code	€
SOMIER 190x140 (f:43)	B-224AP	1.817,00	SOMIER 190x140 (f:60)	B-224ABP	1.979,00
SOMIER 200x140 (f:43)	B-224A	1.966,00	SOMIER 200x140 (f:60)	B-224AB	2.128,00
SOMIER 190x160 (f:43)	B-225AP	1.887,00	SOMIER 190x160 (f:60)	B-225ABP	2.051,00
SOMIER 200x160 (f:43)	B-225A	1.992,00	SOMIER 200x160 (f:60)	B-225AB	2.202,00

SINCRO FOLDING BEDS

MUST BE PINNED TO THE WALL !



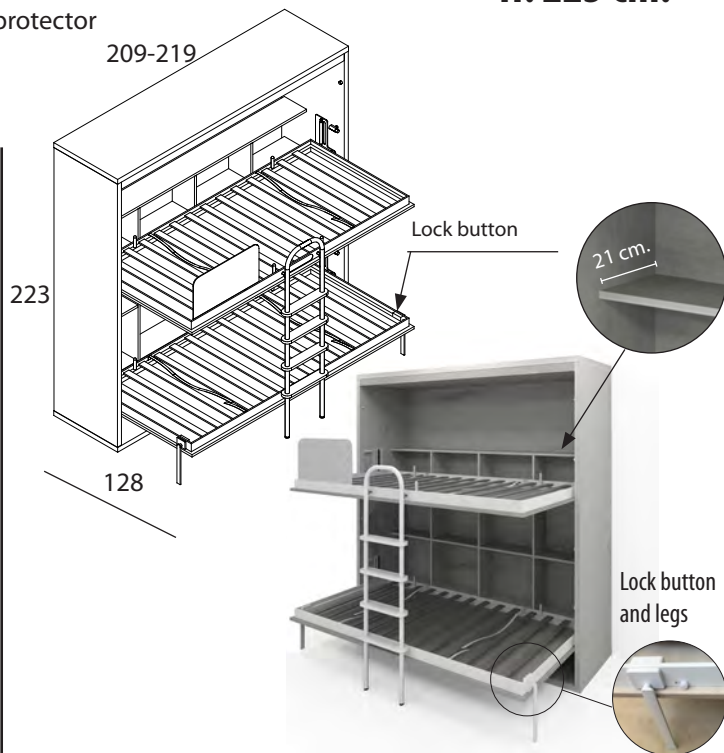
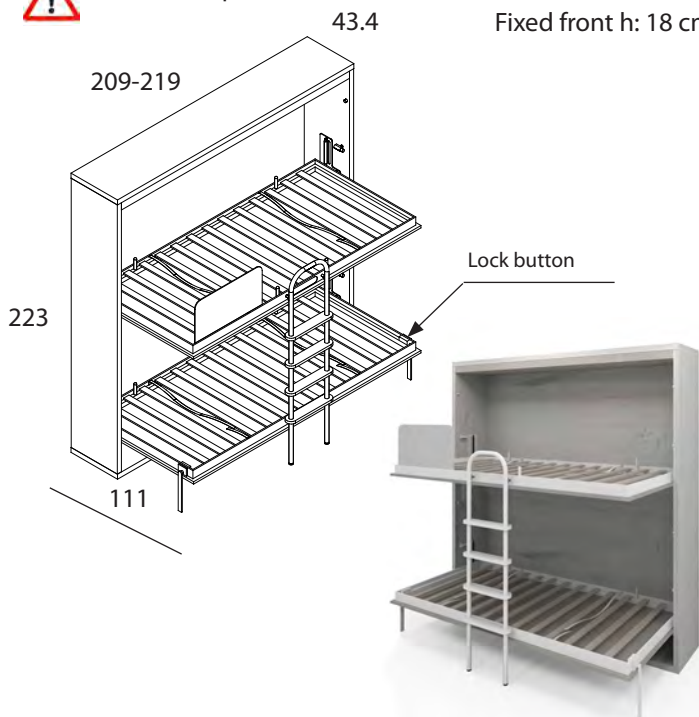
Not valid for pladur

MOUNTED SYSTEM

Includes ladder and protector
Fixed front h: 18 cm.

60.4

H: 223 cm.



Description	Code	€	Description	Code	€
SOMIER 190x90 (F:43)	B-226LP	2.674,00	SOMIER 190x90 (F:60)	B-227LP	2.977,00
SOMIER 200x90 (F:43)	B-226L	2.962,00	SOMIER 200x90 (F:60)	B-227L	3.269,00

MUST BE PINNED TO THE WALL !

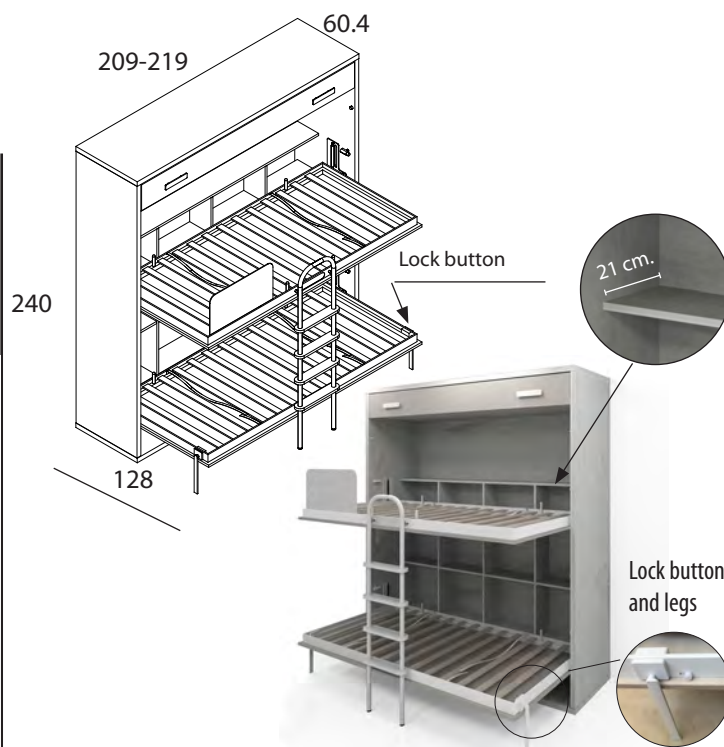
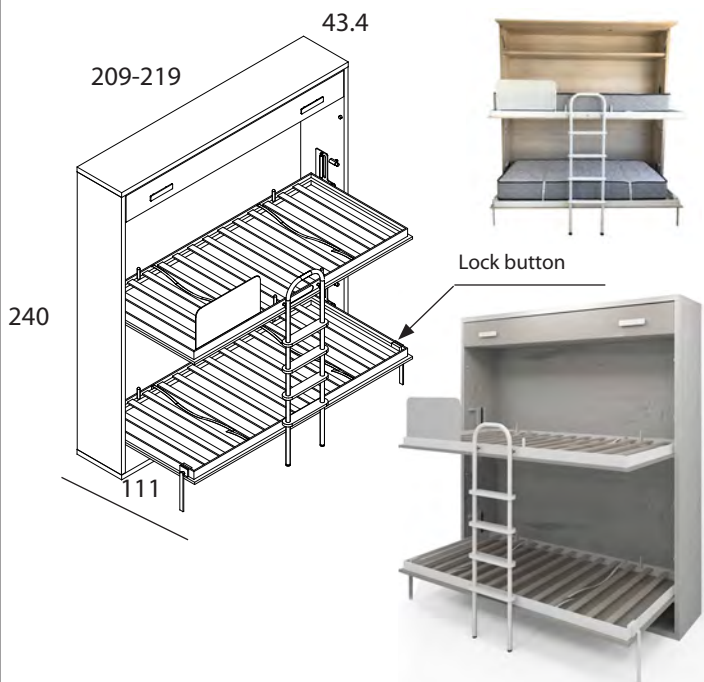


Not valid for pladur

MOUNTED SYSTEM

Includes ladder and protector
Closed loft for h: 34 cm

H: 240 cm.



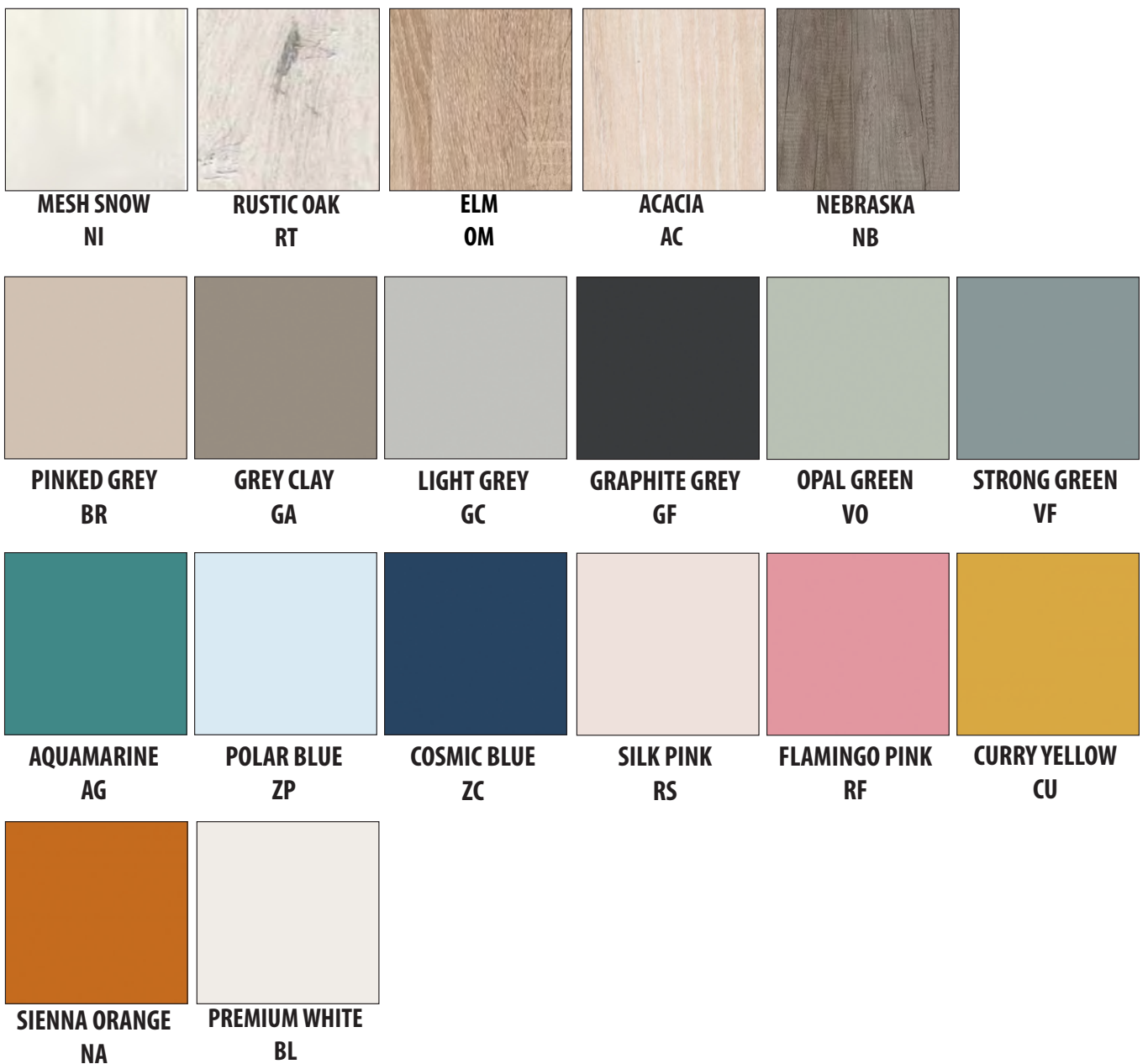
Description	Code	€	Description	Code	€
SOMIER 190x90 (F:43)	B-228LP	2.769,00	SOMIER 190x90 (F:60)	B-229LP	3.074,00
SOMIER 200x90 (F:43)	B-228L	3.054,00	SOMIER 200x90 (F:60)	B-229	3.367,00

FINISHES

FINISHES 1 - Boards 57mm-40 mm-25 mm- 10 mm



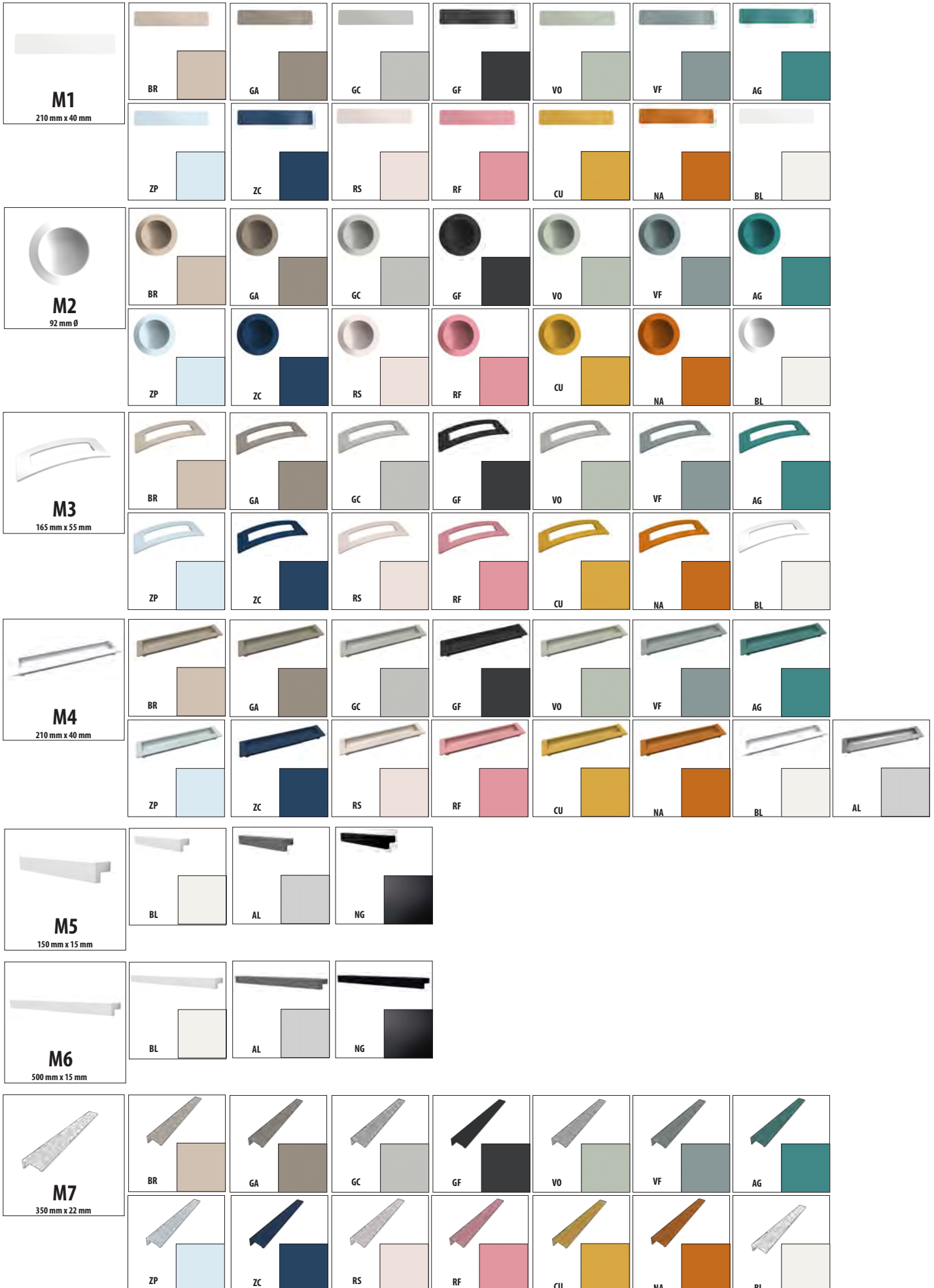
FINISHES 2 - Board 19 mm



FINISHES

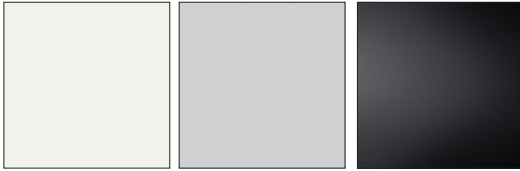
FINISHES 3 - Handles

FINISHES 4



FINISHES

FINISHES 5 - Pasacables



BL

AL

NG

SPECIAL CABINETS AND DRAWERS BUCK

How to calculate the price of special furniture:

15% - PARAMETRIC CUTS (HIGH-WIDTH OR DEPTH)

20% - 2 PARAMETRIC CUTS (HIGH-WIDTH OR DEEP)

25% - 3 PARAMETRIC CUTS (HIGH-WIDTH OR DEEP)

25% - PARAMETRIC CUTS (HEIGHT-WIDTH OR DEPTH) + MEASURE

25% - COLUMN OR BEAM CUT 35% - COLUMN OR BEAM CUT (TWO CUTS)

35% - COLUMN OR BEAM CUT (TWO CUTS)

35% - COLUMN CUT + 1 PARAMETRIC

MTS
BYJGORBE

POL. INDUSTRIAL LA PAZ, C/ LONDRES 44195 (TERUEL) Spain

Tel: +34 978 607 002 - E-mail: info@jgorbe.com

www.mutesa.com - www.jgorbe.com